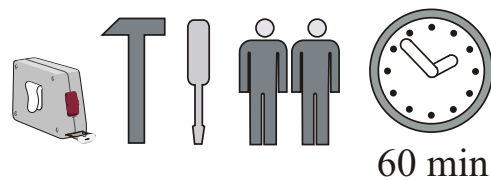
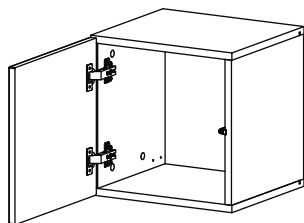
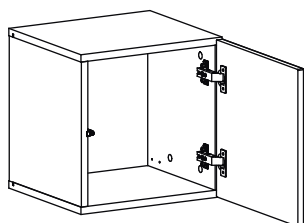
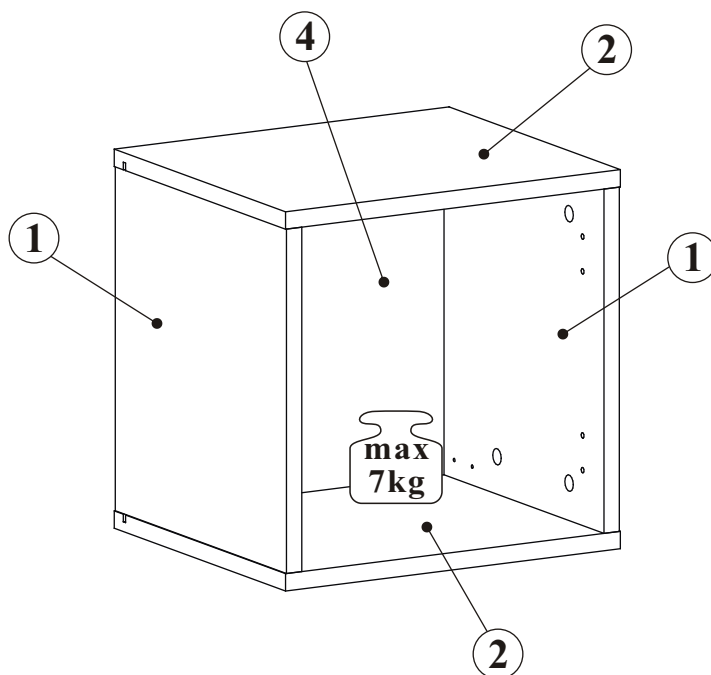
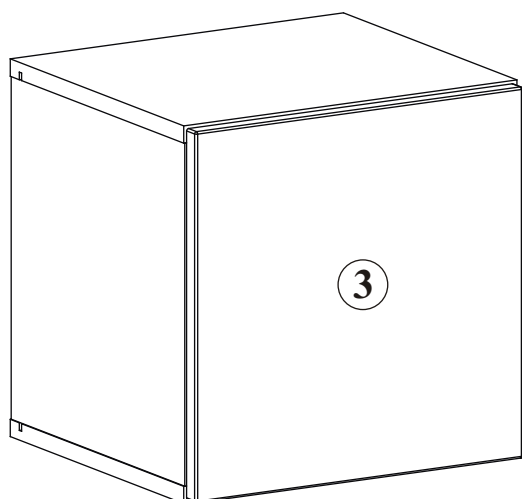
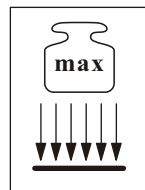
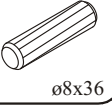
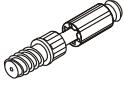


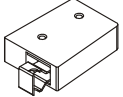

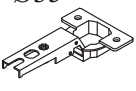
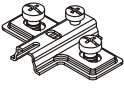




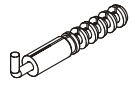



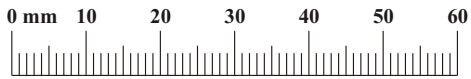
BLOX TYP 20



NO	Dim.		Col.-No	Qty
1	317	304	1	2
2	349	304	1	2
3	343	343	1	1
4	329	327	1	1

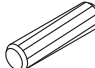
BLOX TYP 20


A1 x8  ø8x36	B4 x8 	B5 x8  Ø15x12	G5 x8 	ZR1 x2 	D6 x4  USØ3,5x30
E21 x2  Ø35 H=0	E2 x2  H=0	D10 x6  USØ3,5x13	Z2 x4  Ø5	T1 x1 	S1 x4 
KR2 x2 	G2 x1 				



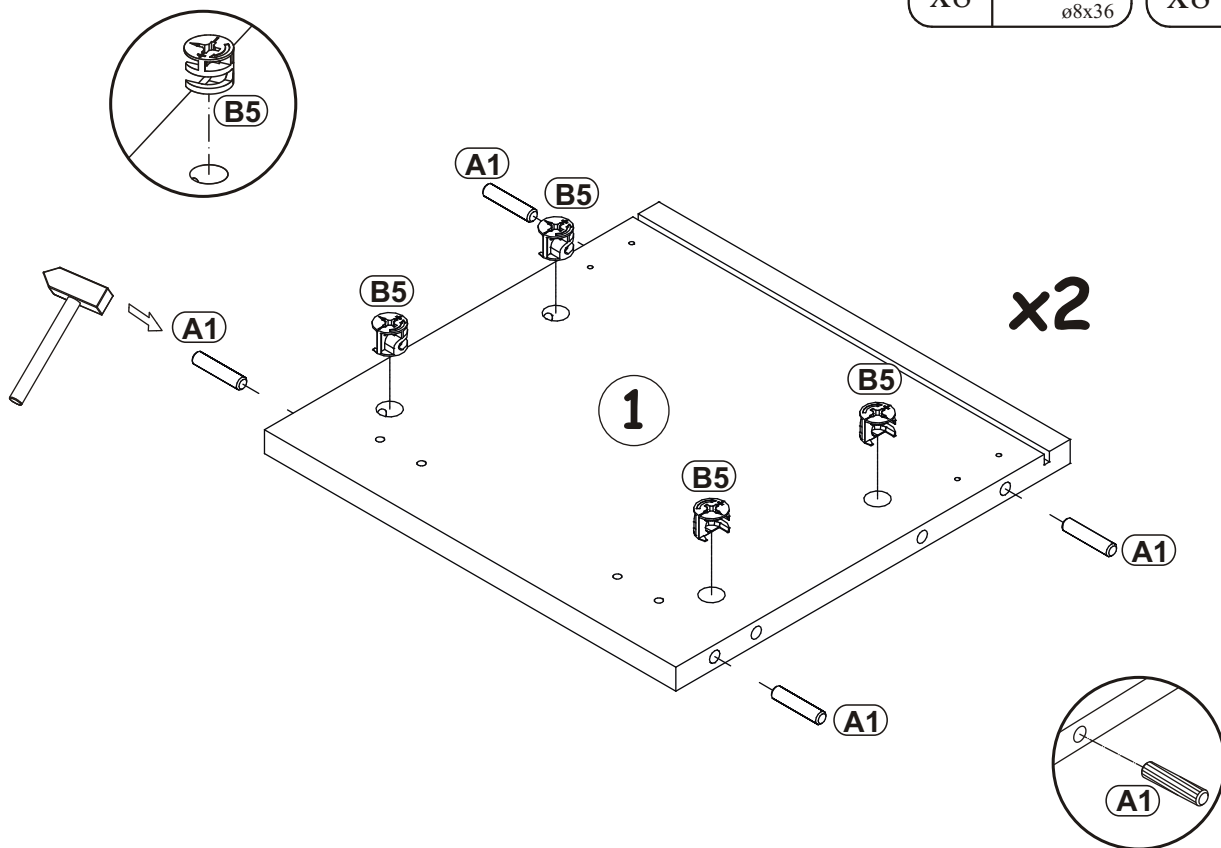
A collection of safety and assembly icons:

- Hand and baby icon with a diagonal line through it, indicating no children or pets.
- Phone icon with question marks and a thumbs up, indicating customer support.
- Waste bin with an 'X' and a recycling bin with a checkmark, indicating disposal instructions.
- Two floor mat icons: one with a smiley face and checkmark (correct placement), one with a frowny face and 'X' (incorrect placement).
- Two cabinet icons: one with a smiley face and checkmark (correct placement on a mat), one with a frowny face and 'X' (incorrect placement on a hard floor).
- Two cabinet icons in circles: one with a diagonal line through it (do not open), one without (can be opened).
- Diagram of a cabinet leg with a screw and washer.
- Hand washing icon with a diagonal line through it (do not wash hands).
- Hand washing icon with '100% COTTON' (wash in cotton).
- Chemical bottles icon with a diagonal line through it (no chemicals).
- Person leaning on a cabinet icon with a diagonal line through it (do not lean on it).
- Two people standing on a cabinet icon with an upward arrow (do not stand on it).
- Person standing on a cabinet icon with a diagonal line through it (do not stand on it).
- Person sitting on a cabinet icon with a diagonal line through it (do not sit on it).
- Diagram of a cabinet leg being inserted into a hole.
- Diagram of a cabinet leg being secured with a screw and washer.
- Diagram of a cabinet leg being secured with a screw and washer, with a thumbs up and an eye icon, indicating correct assembly.
- Diagram of a cabinet leg being secured with a screw and washer, with a diagonal line through it, indicating incorrect assembly.

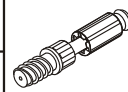
A1	
x8	ø8x36

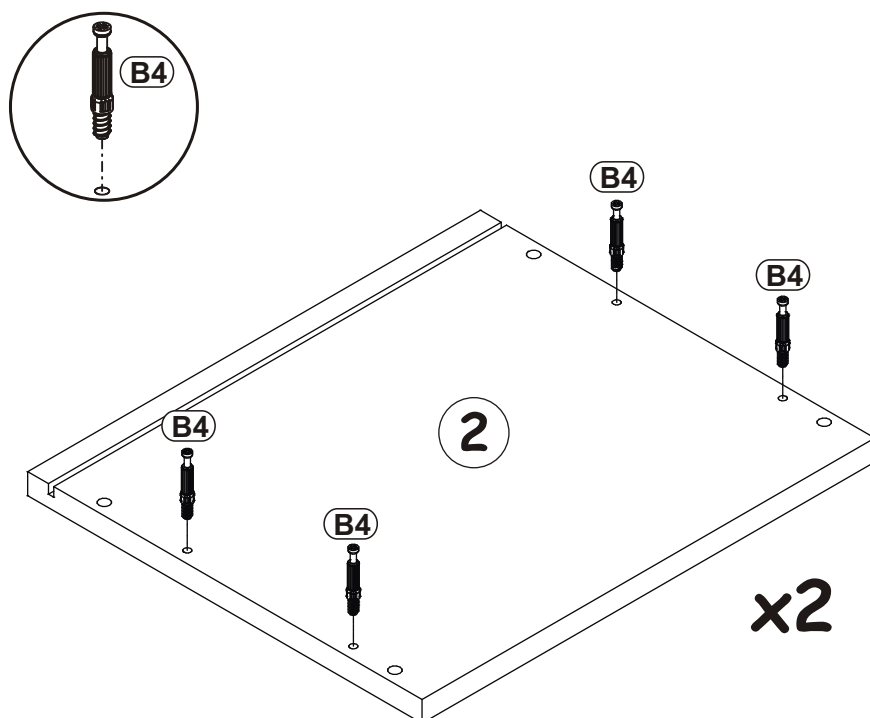
B5	
x8	Ø15x12

1



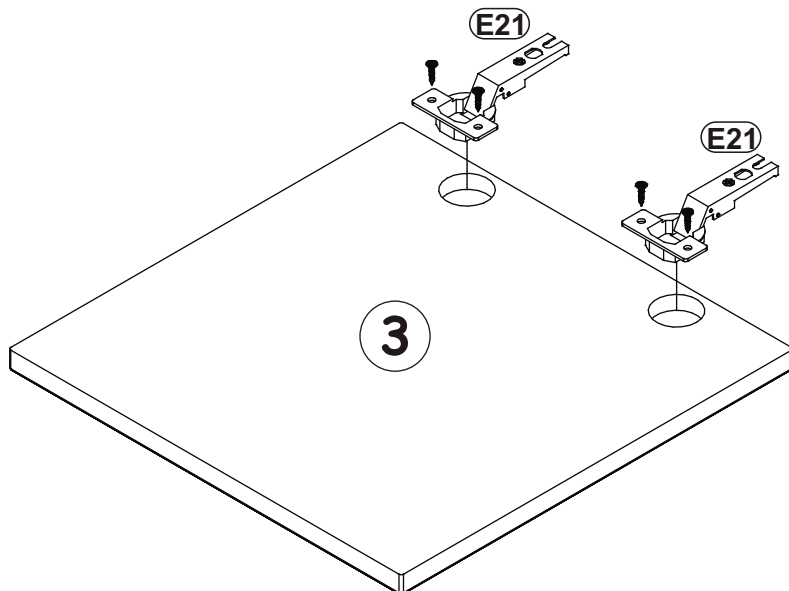
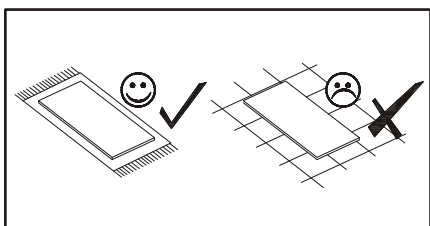
2

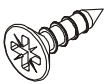
B4	
x8	

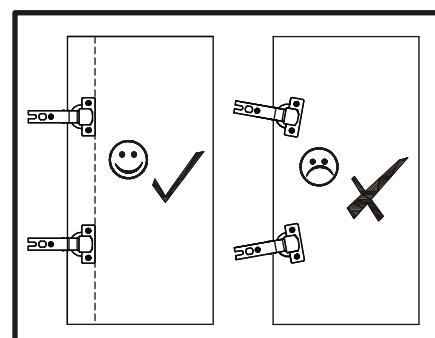
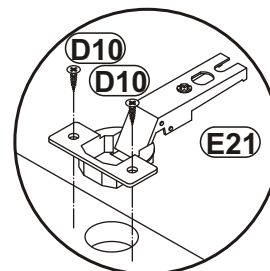


BLOX TYP 20

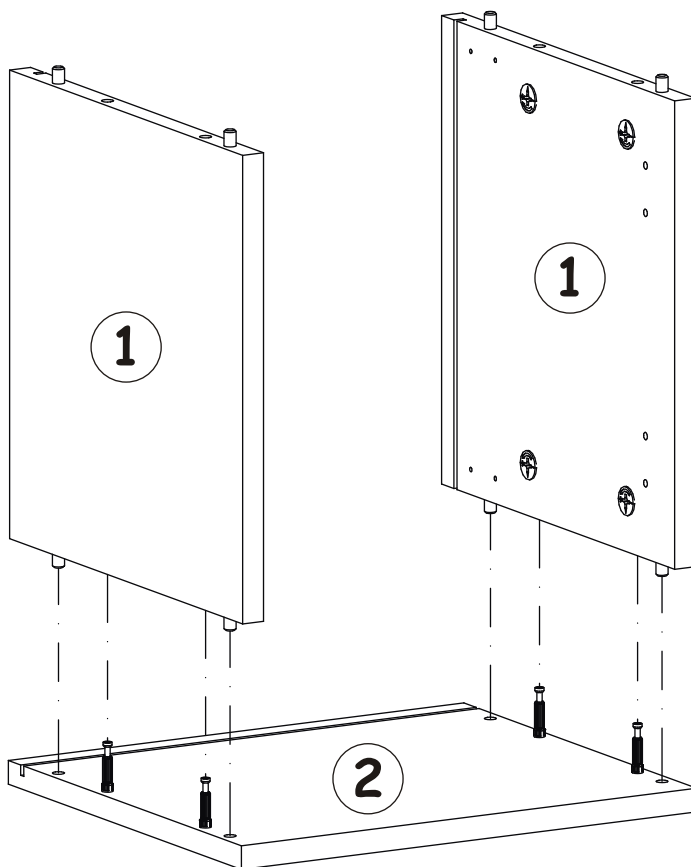
3




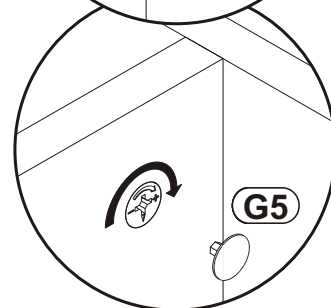
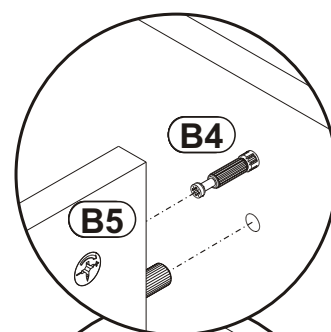
E21	Ø35	D10	 USØ3,5x13
x2	H=0	x4	




4

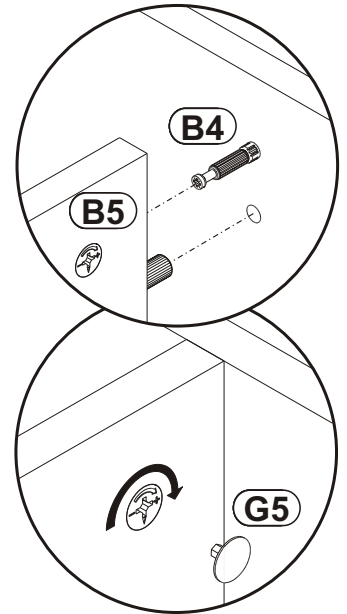
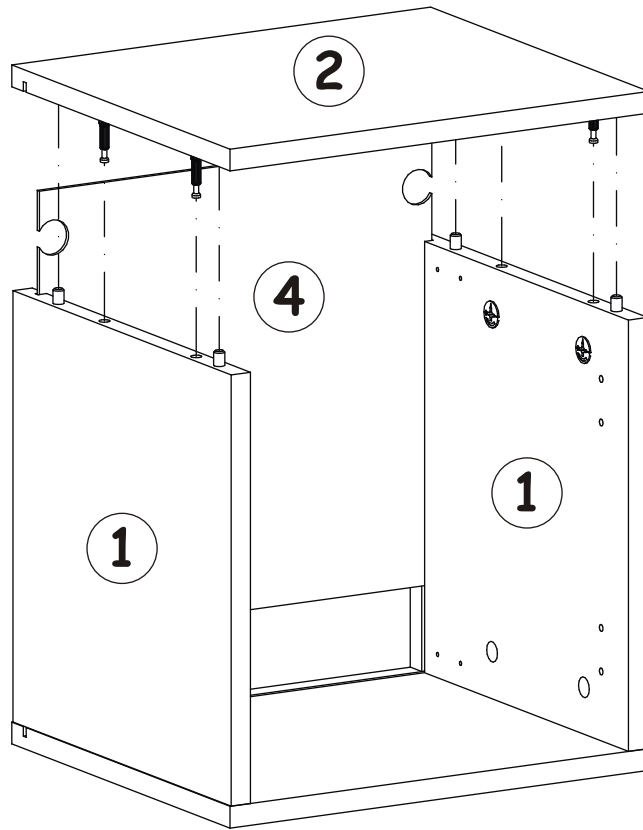


G5	
x4	

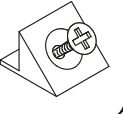


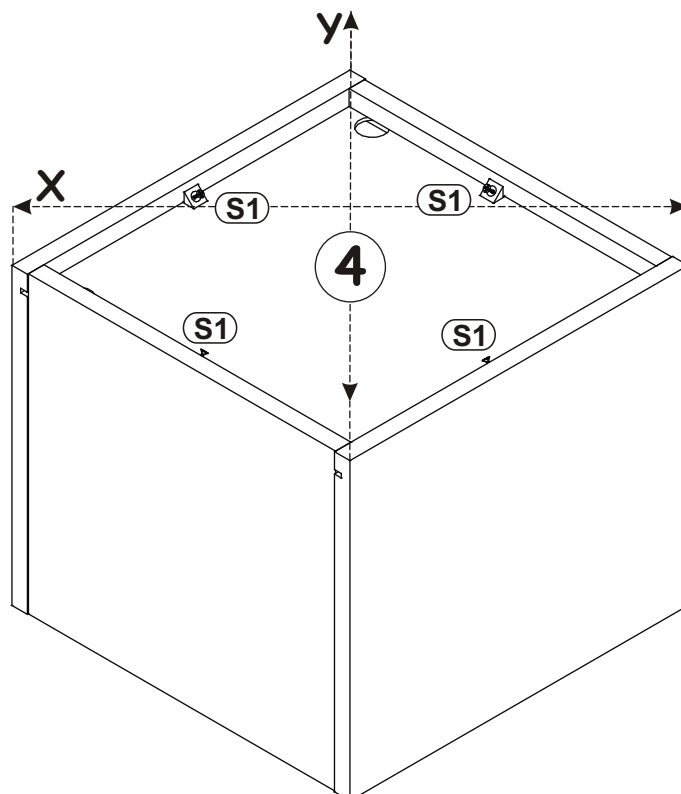
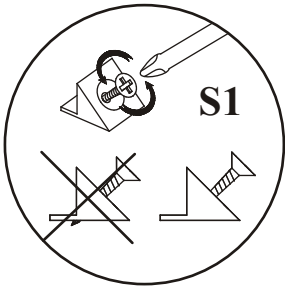
5

G5	
x4	

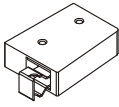



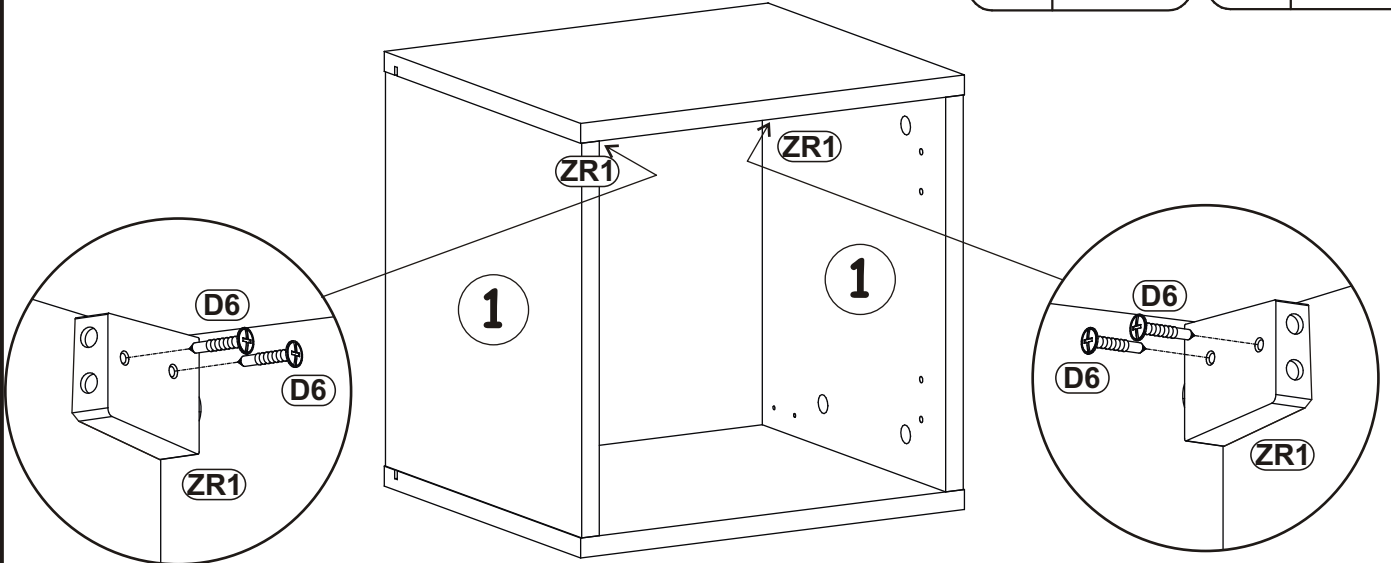
6

S1	
x4	

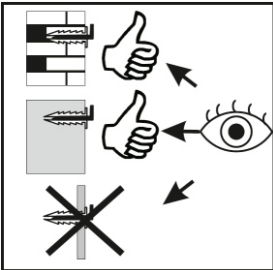


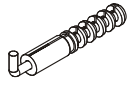
7

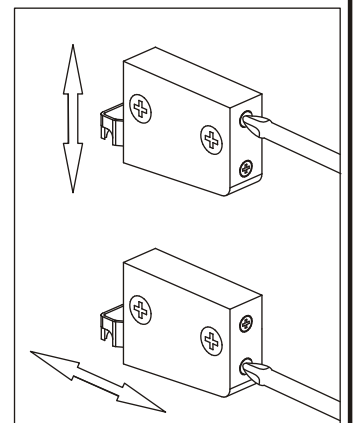
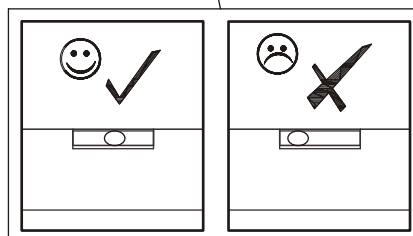
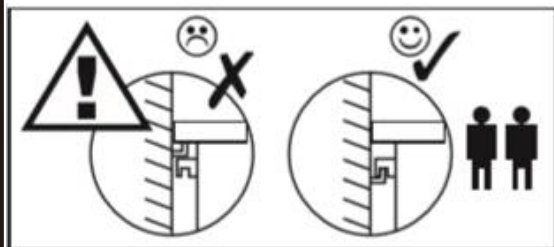
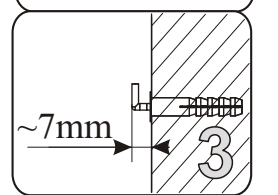
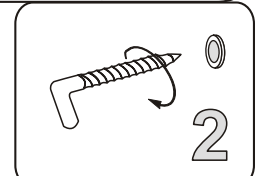
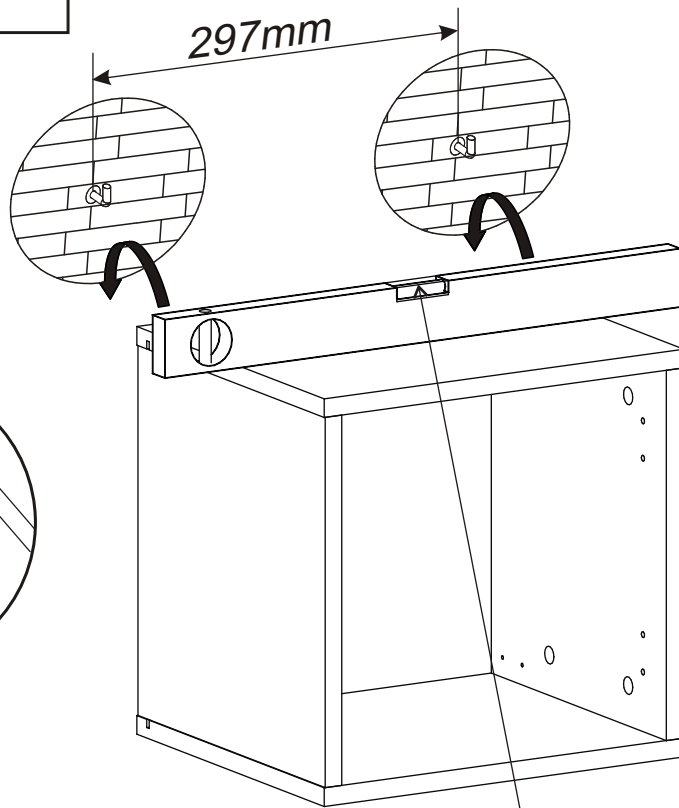
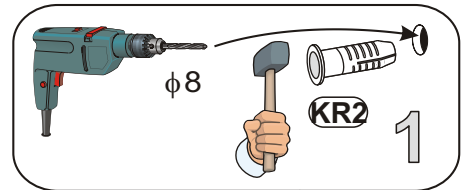
ZR1		D6	
x2		x4	US03,5x30



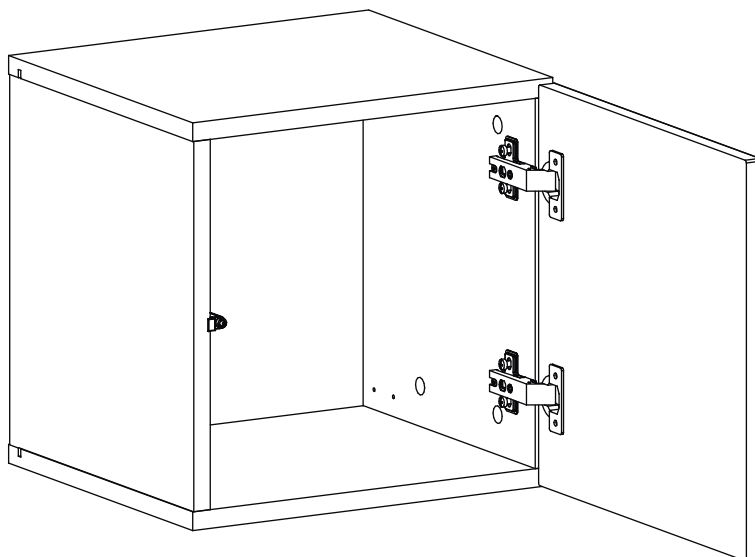
8



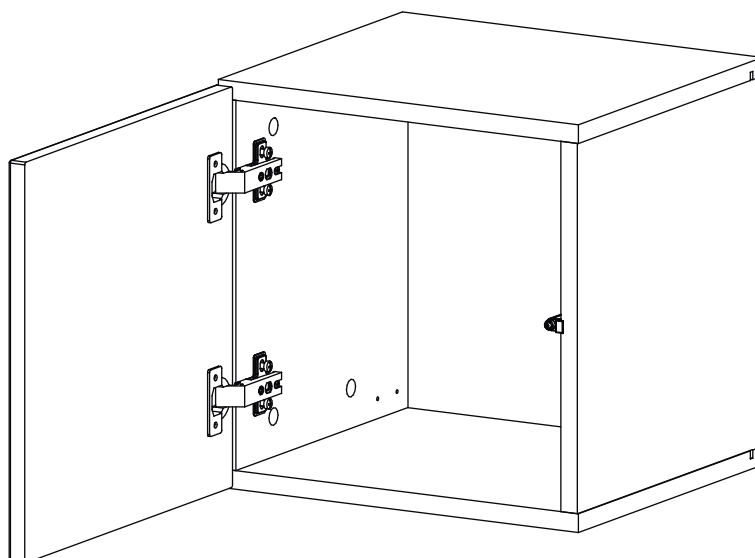
KR2	
x2	



9 - 10

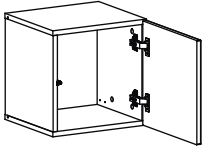


11 - 12

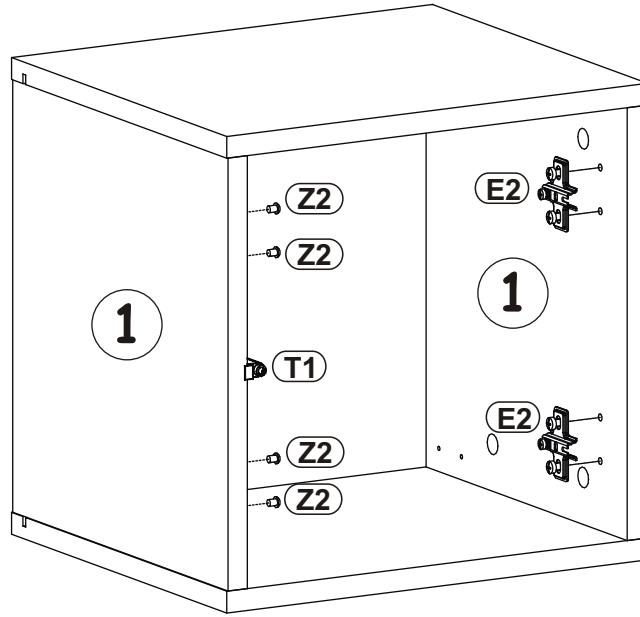
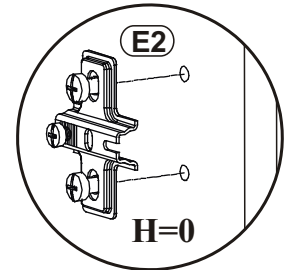
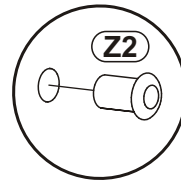
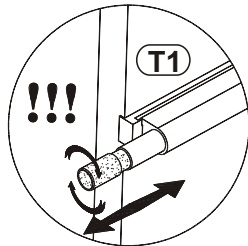
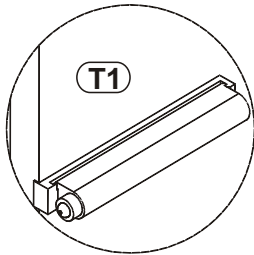
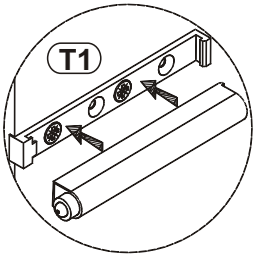
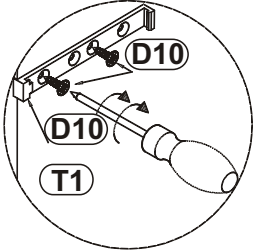


BLOX TYP 20

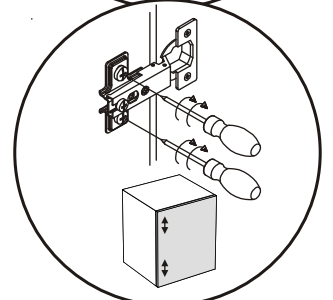
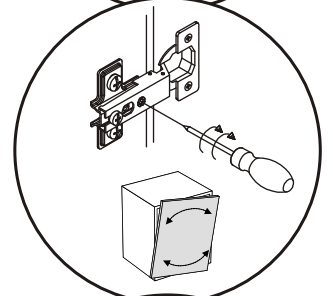
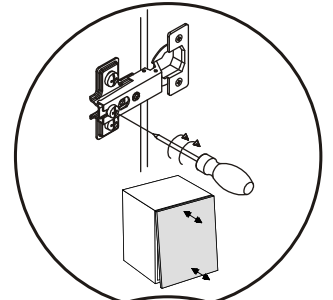
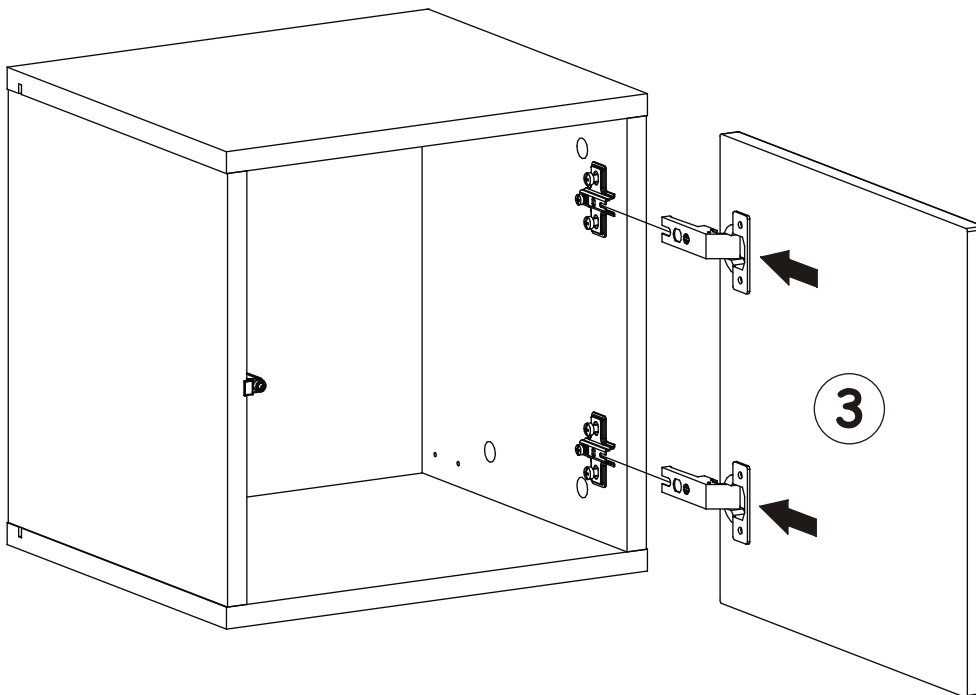
9



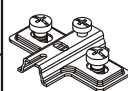


E2		Z2		T1	
x2	H=0	x4	Ø5	x1	
D10					
x2	USØ3,5x13				

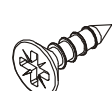


10

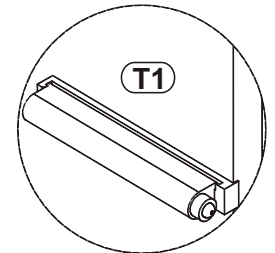
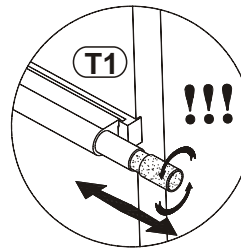
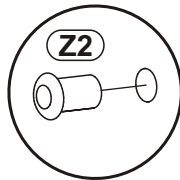
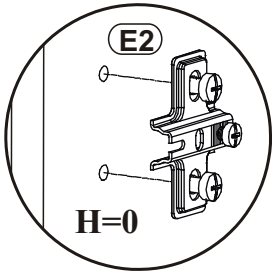
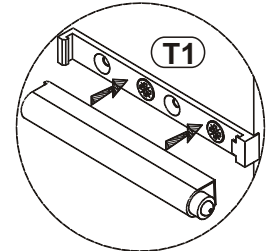
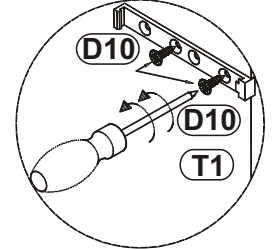
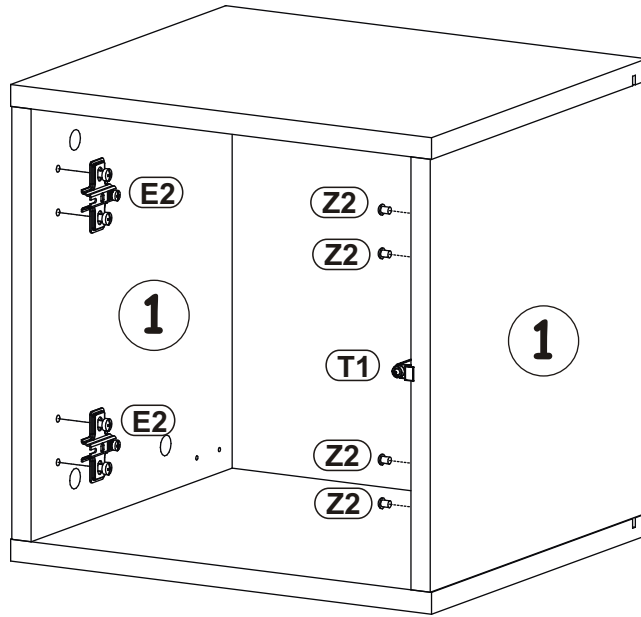
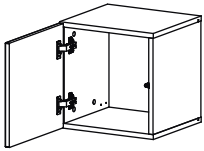


BLOX TYP 20

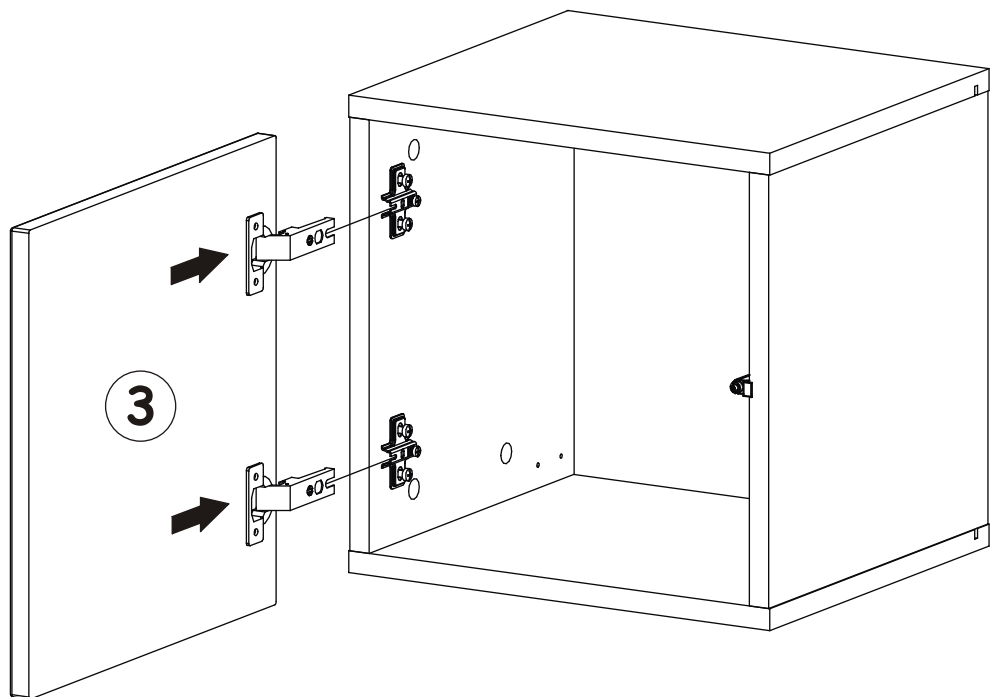
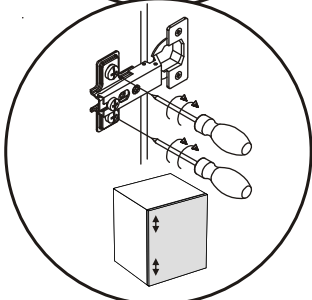
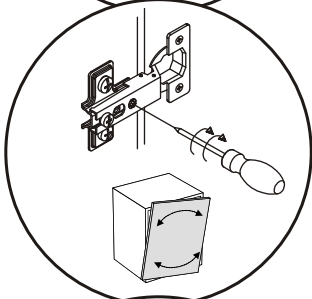
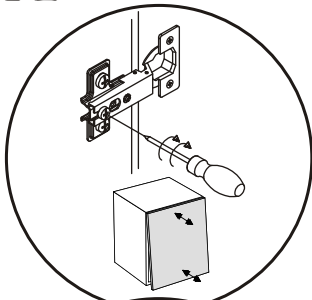
E2		Z2		T1	
x2	H=0	x4	Ø5	x1	

D10	
x2	USØ3,5x13

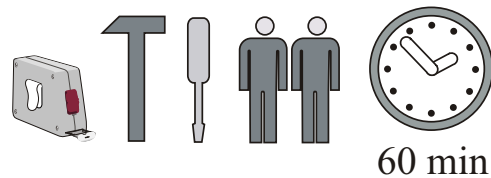
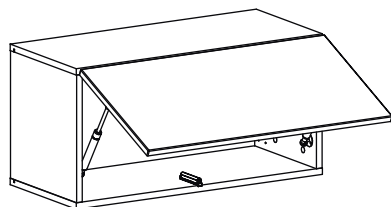
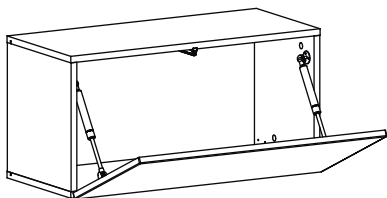
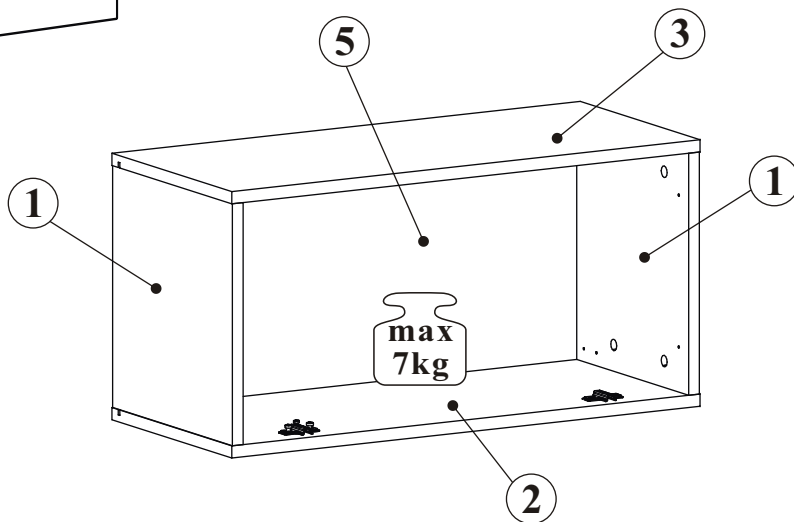
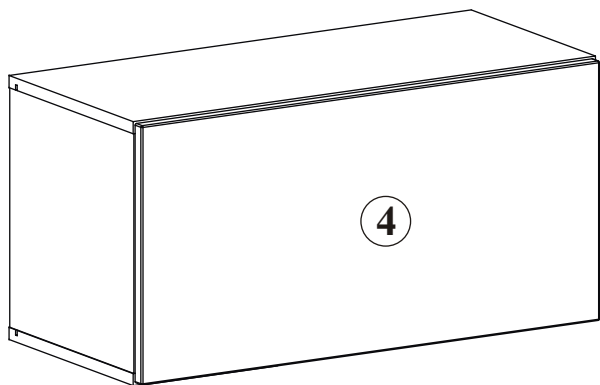
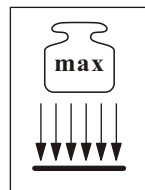
11



12



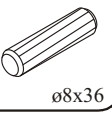
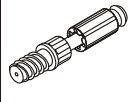


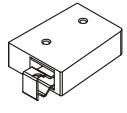

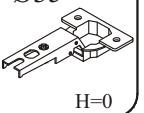
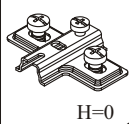

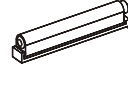

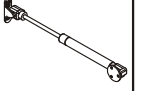
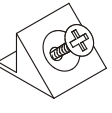
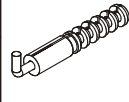

BLOX TYP 21

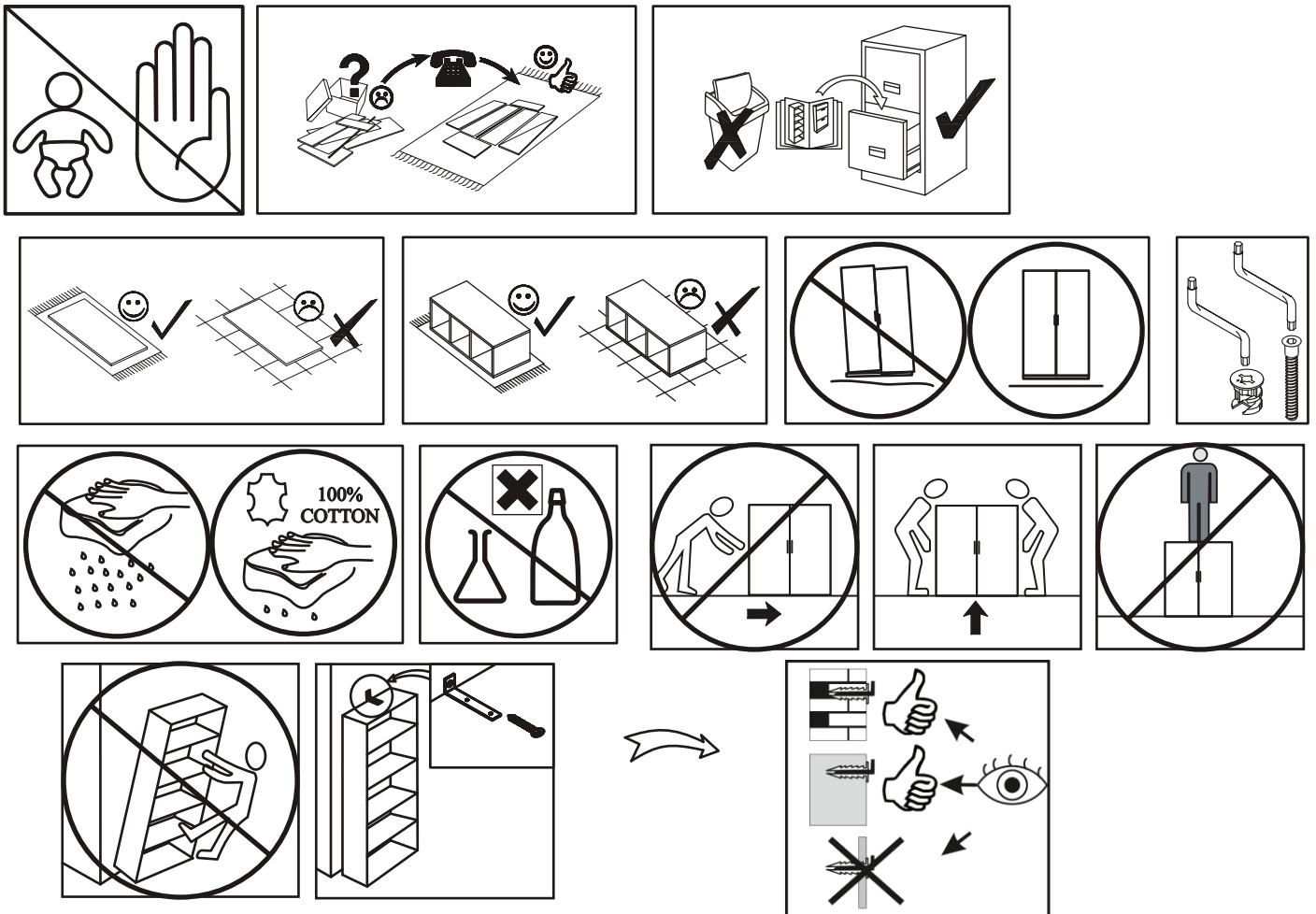
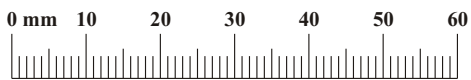


60 min

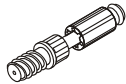
NO	Dim.		Col.-No	Qty
1	317	304	1	2
2	699	304	1	1
3	699	304	1	1
4	693	343	1	1
5	329	677	1	1

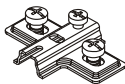
BLOX TYP 21

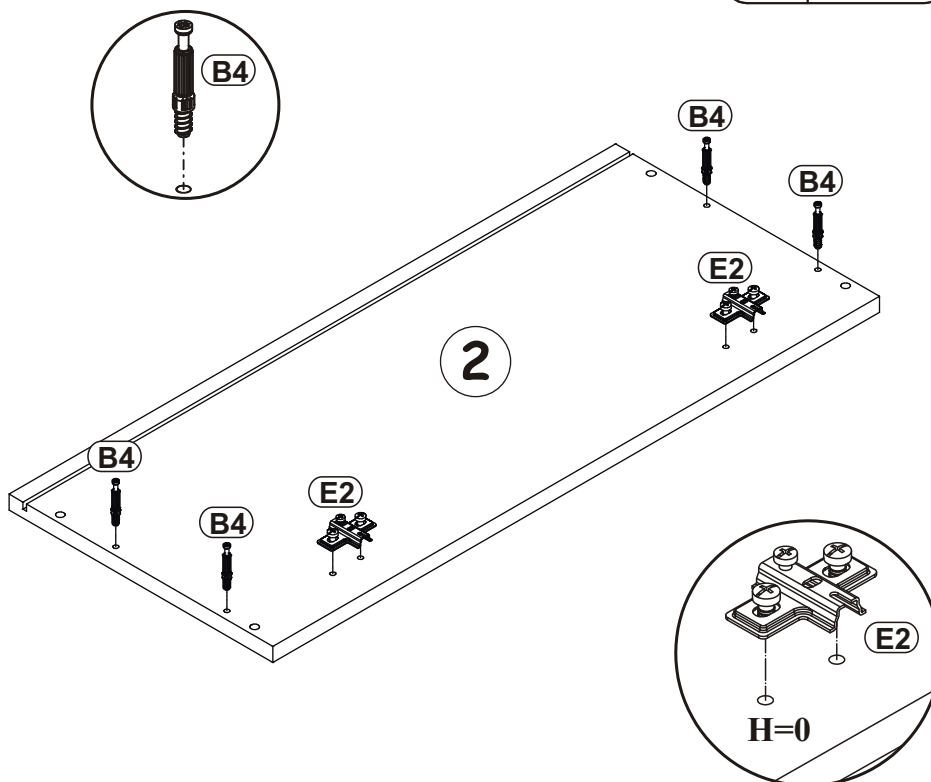
A1 x8  ø8x36	B4 x8 	B5 x8  Ø15x12	G5 x8 	ZR1 x2 	D6 x4  USØ3,5x30
E21 x2  Ø35 H=0	E2 x2  H=0	D10 x26  USØ3,5x13	T1 x1 	BO1 x2 	BP1 x2 
S1 x6 	KR2 x2 	G2 x1 			



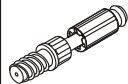
1

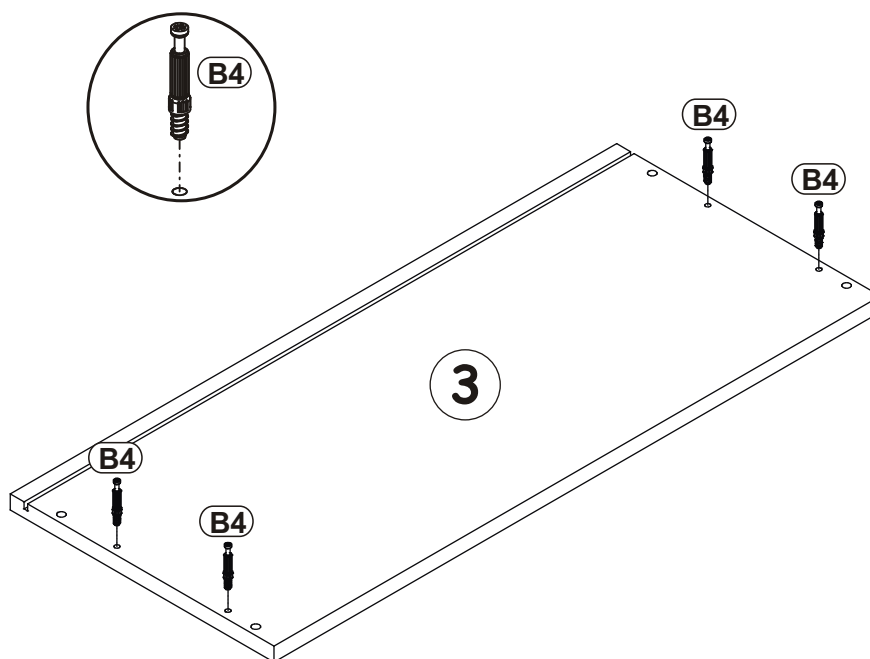
B4	
x4	

E2	
x2	H=0

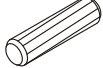



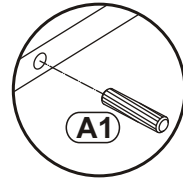
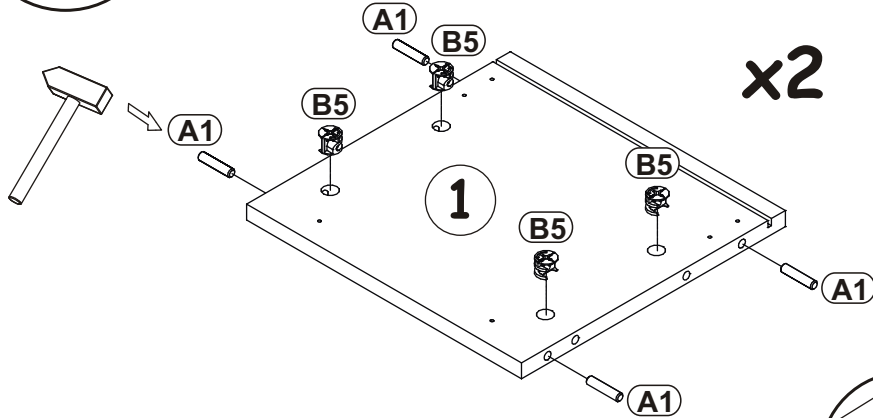
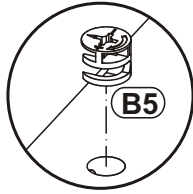
2

B4	
x4	

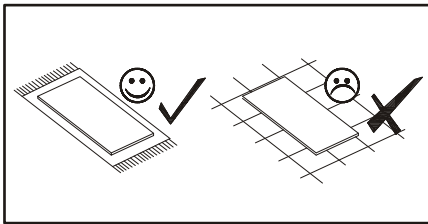


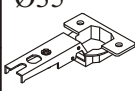
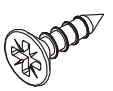
3

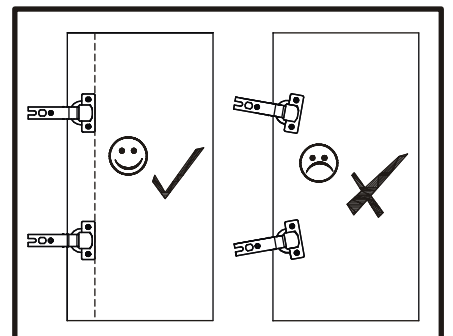
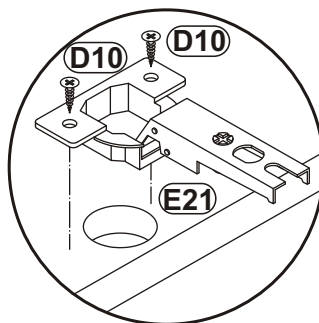
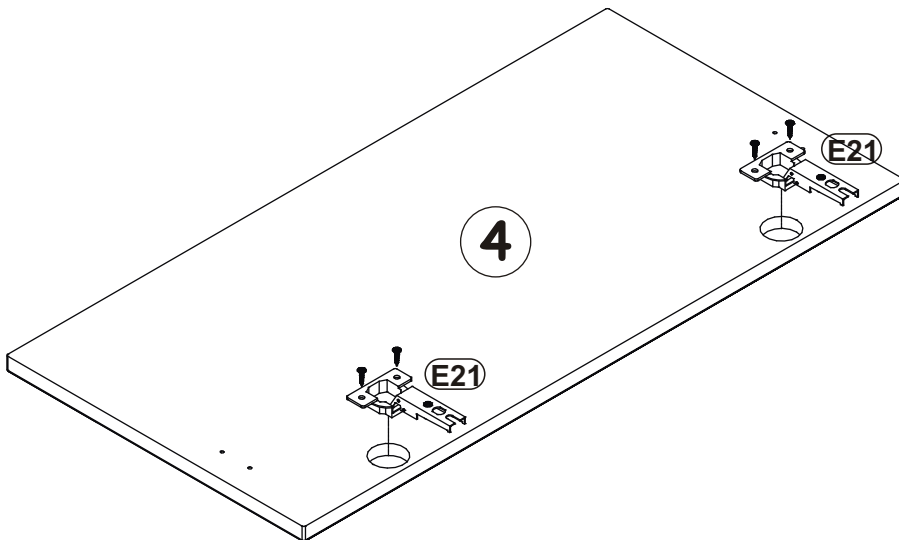
A1		B5	
x8	ø8x36	x8	Ø15x12



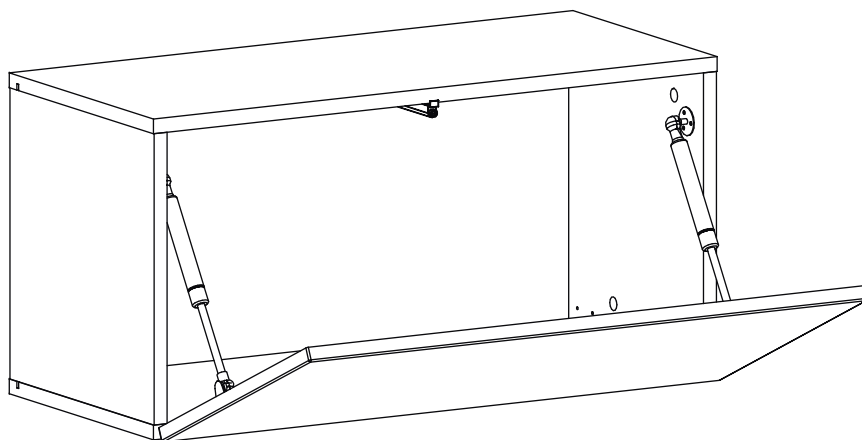
4



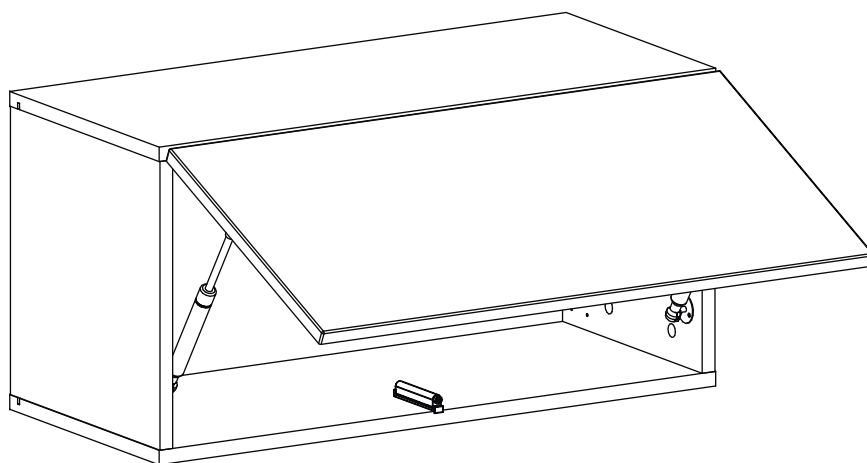
E21		D10	
x2	Ø35 H=0	x4	USØ3,5x13



5 - 12

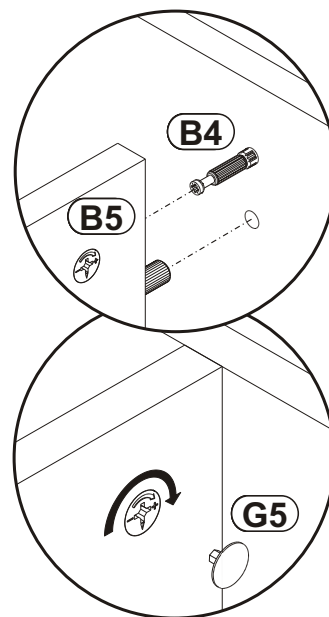
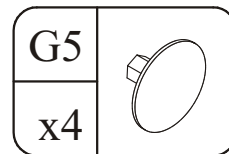
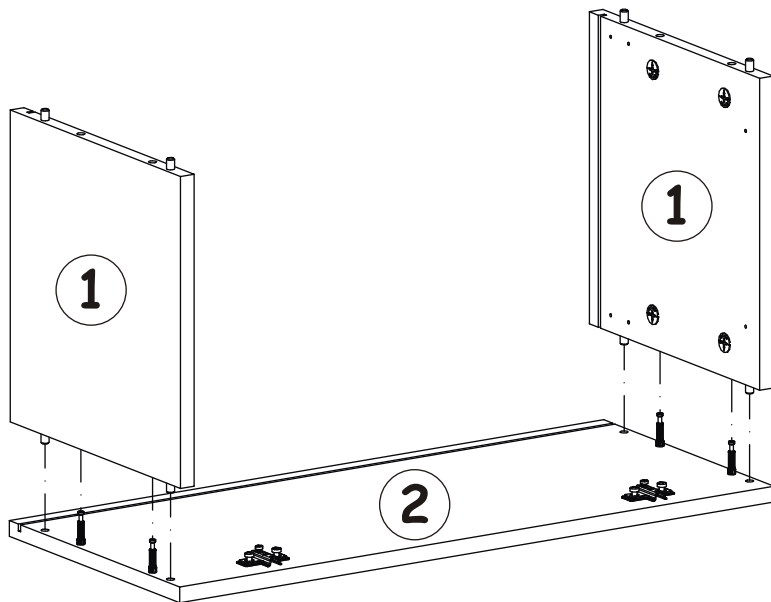
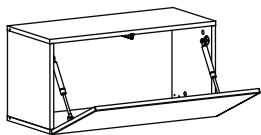


13 - 20

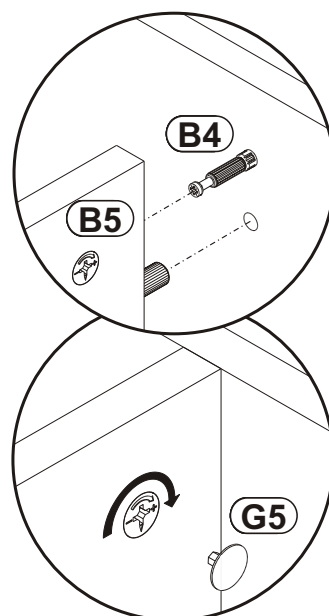
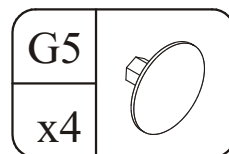
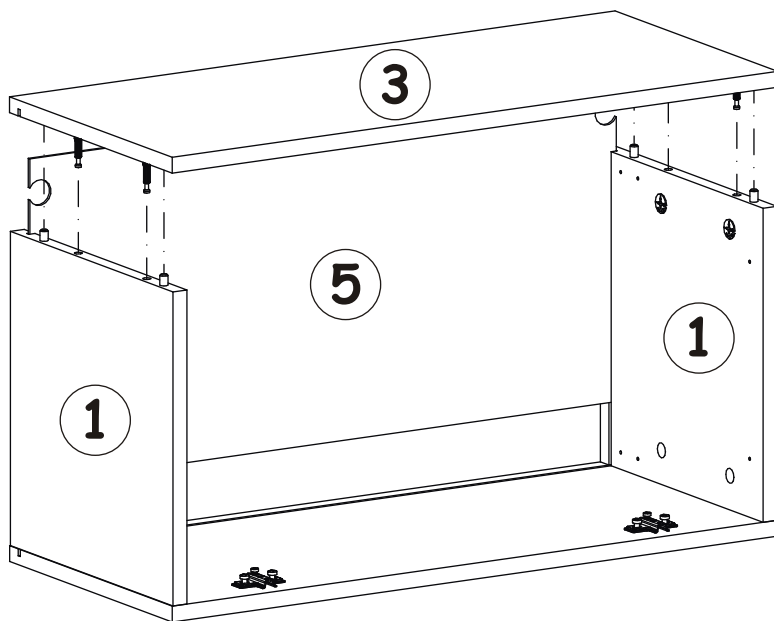


BLOX TYP 21

5



6



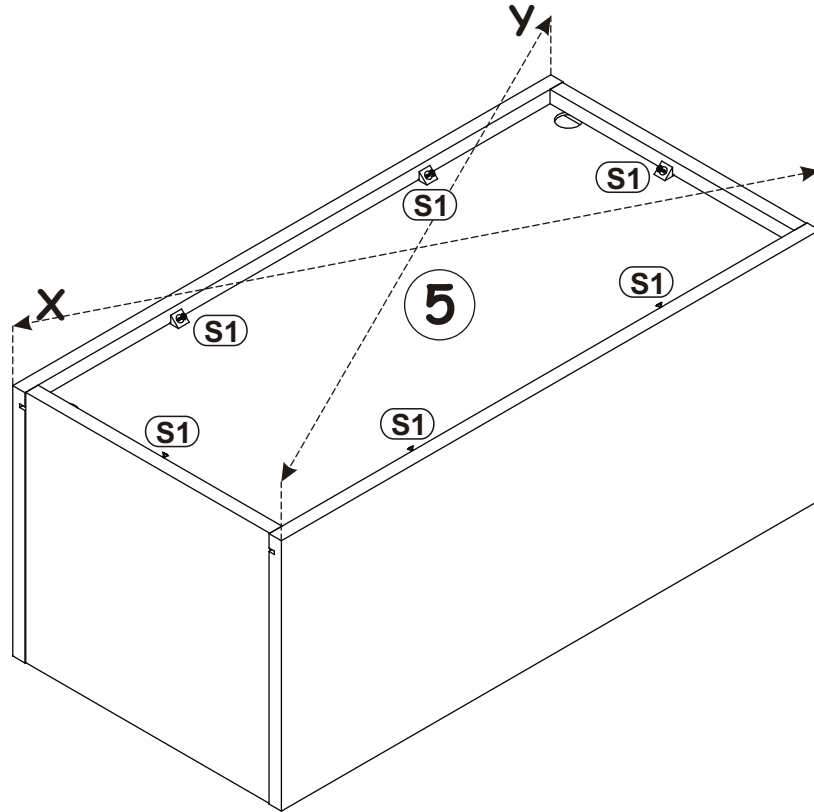
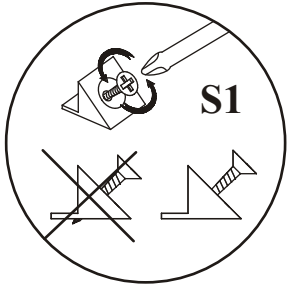
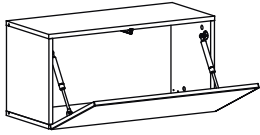
BLOX TYP 21



$X=Y$ 90°

S1	
x6	

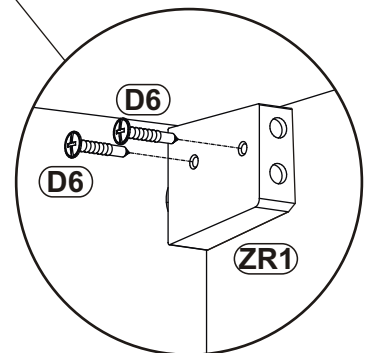
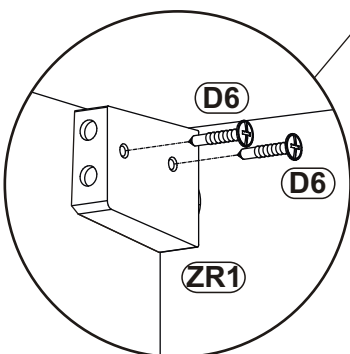
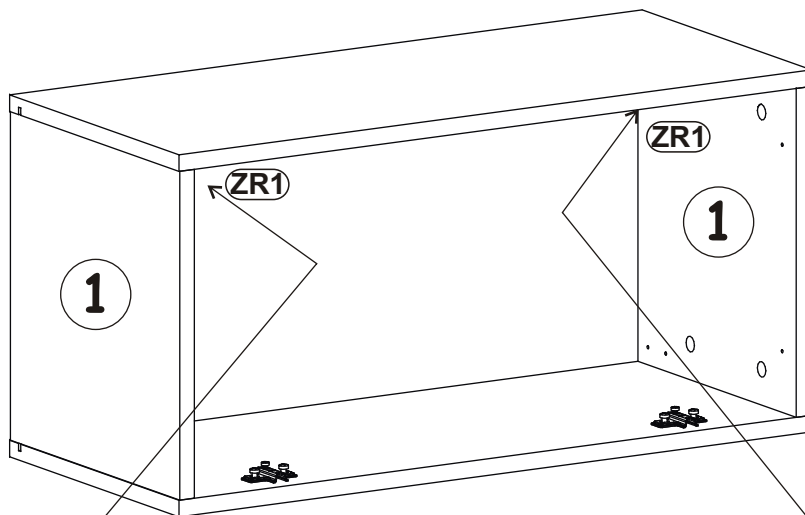
7



8

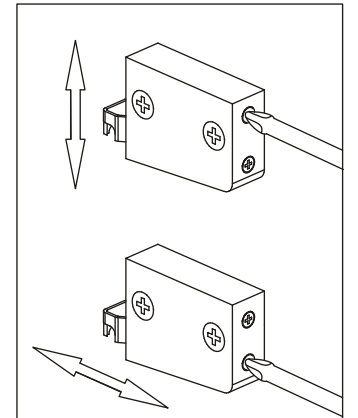
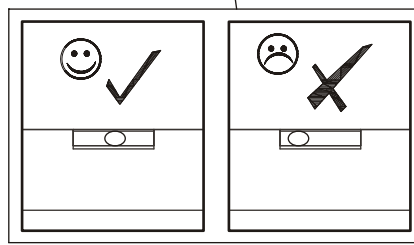
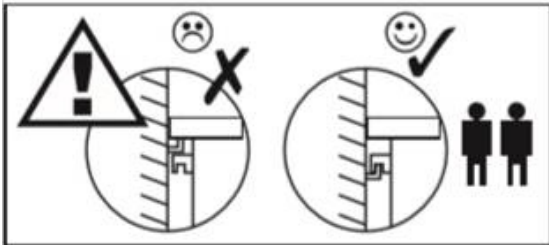
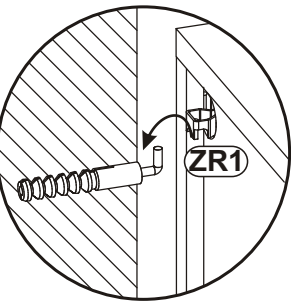
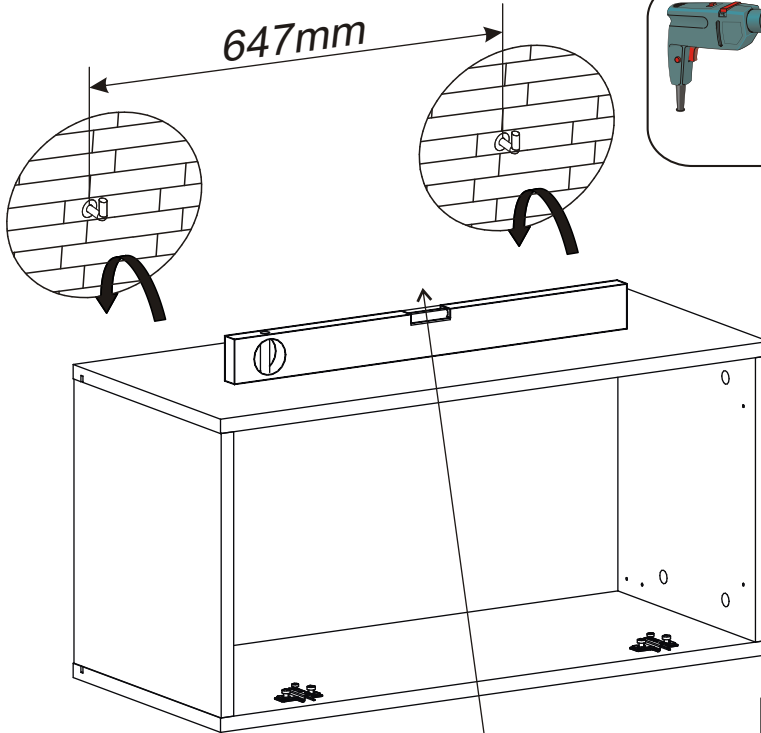
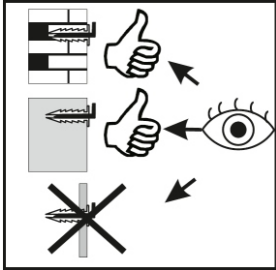
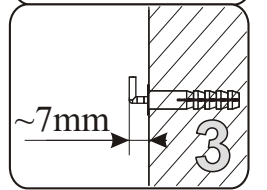
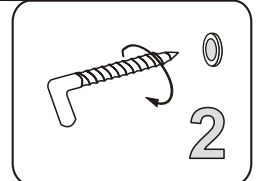
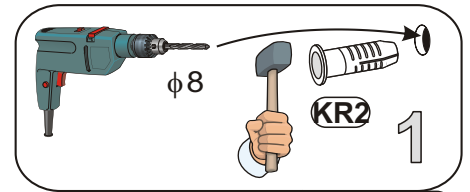
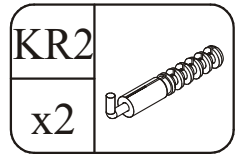
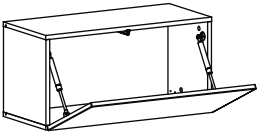
ZR1	
x2	

D6	
x4	USØ3,5x30

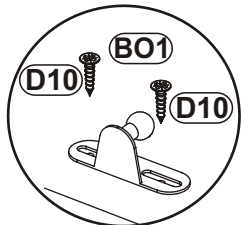
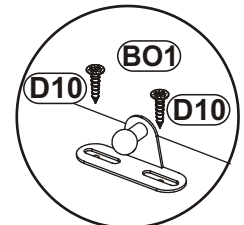
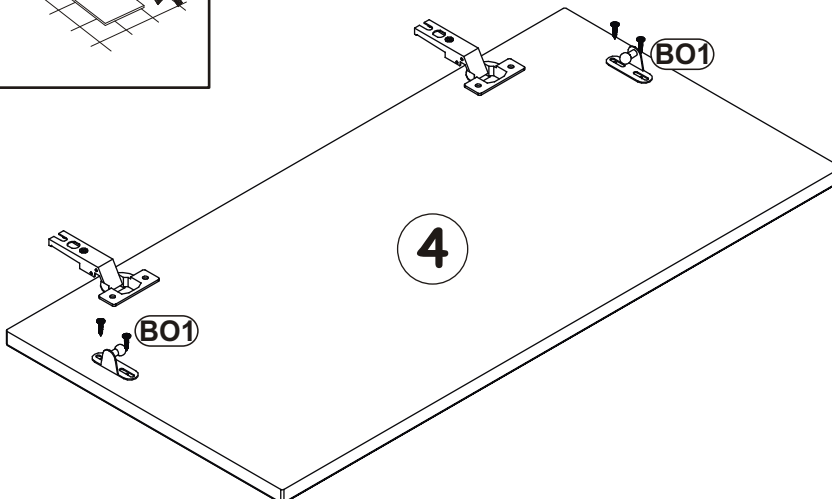
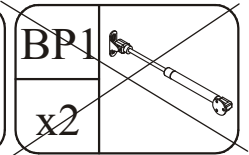
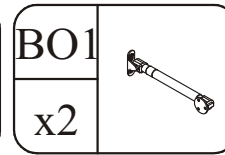
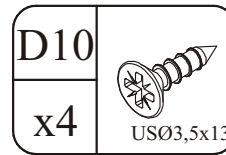
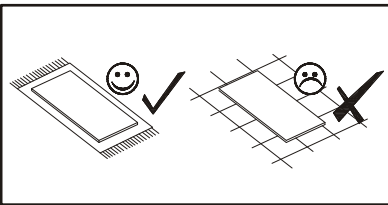


BLOX TYP 21

9

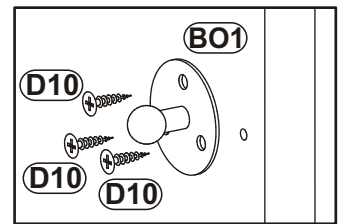
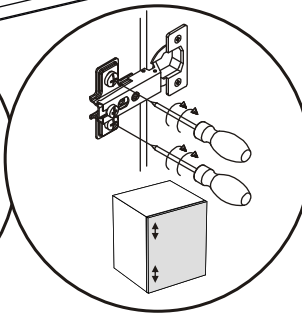
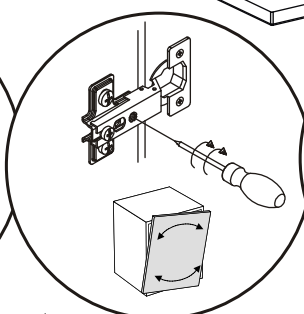
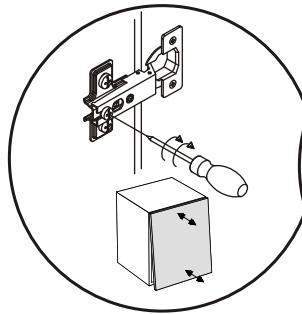
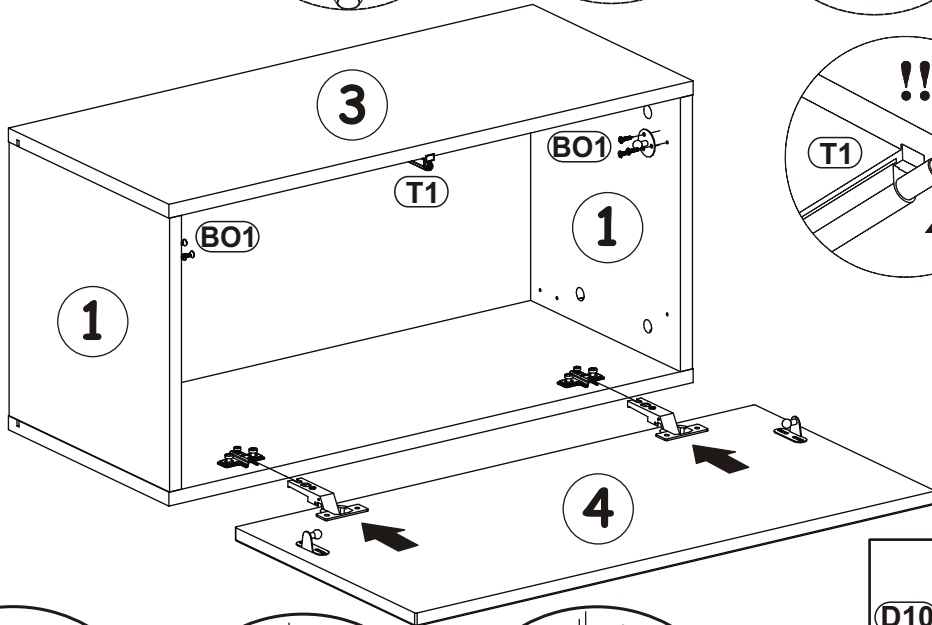
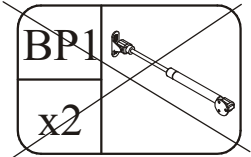
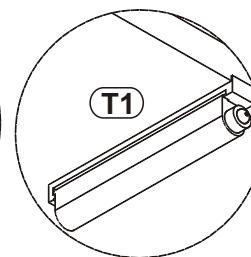
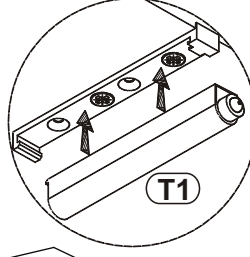
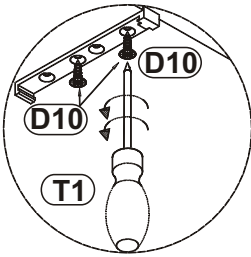
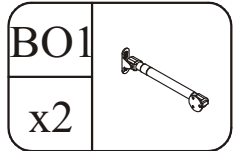
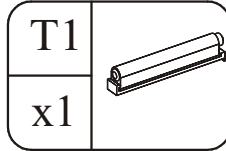
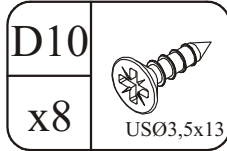
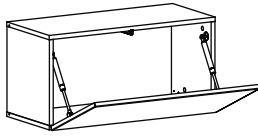


10

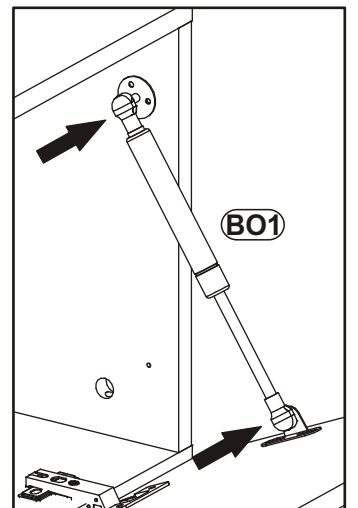
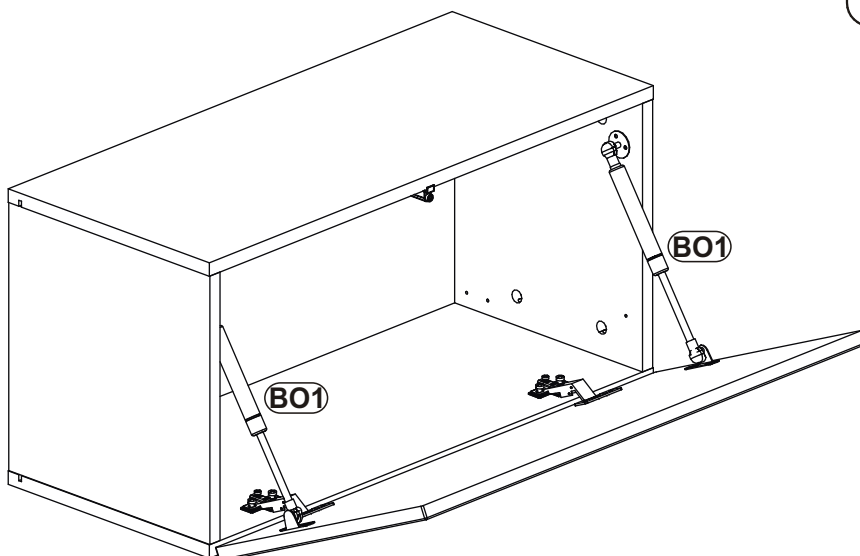
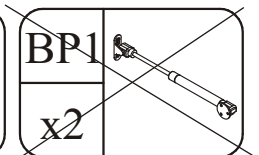
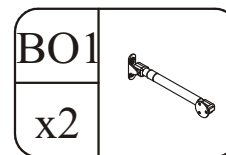


BLOX TYP 21

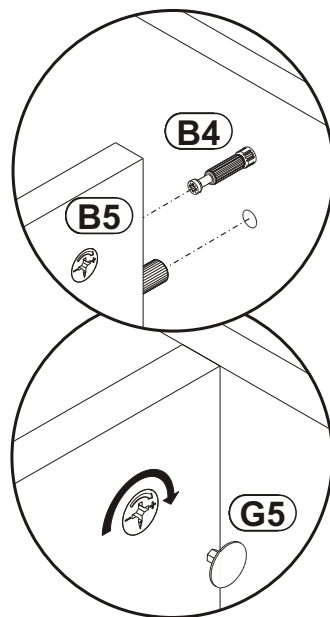
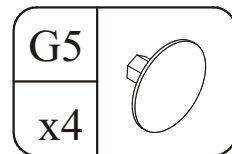
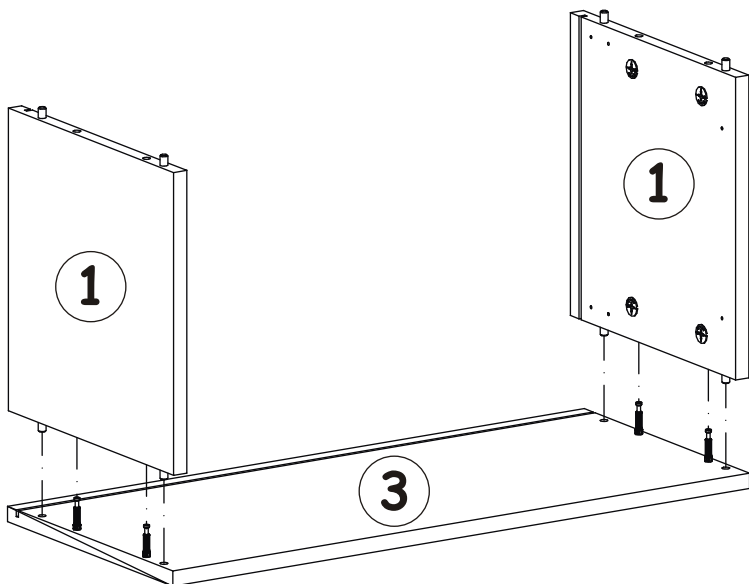
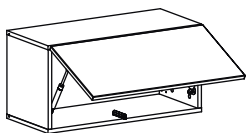
11



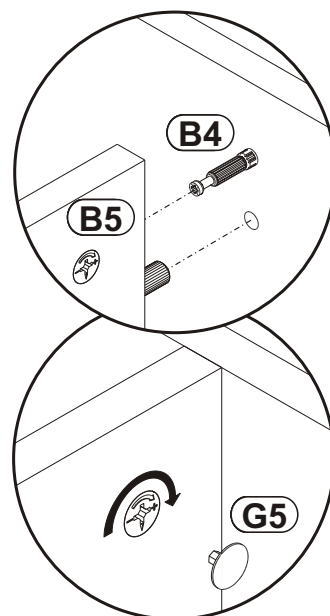
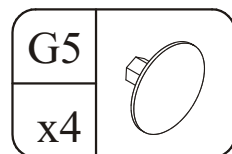
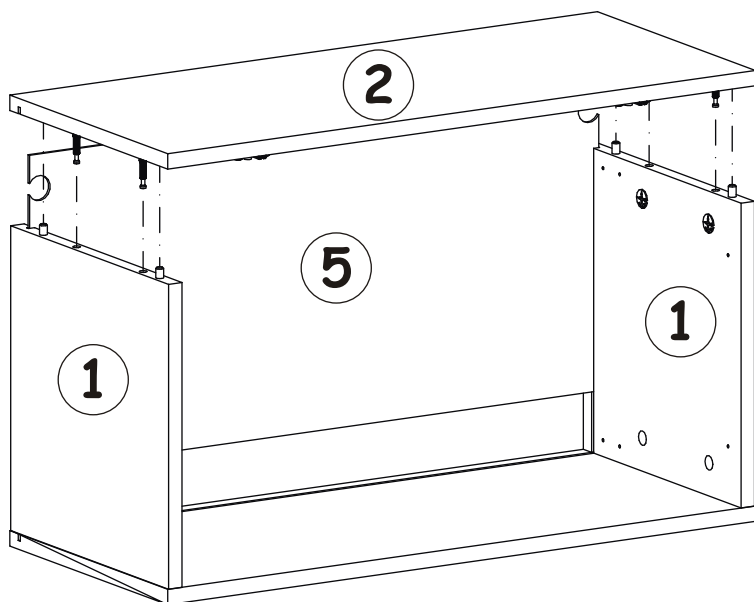
12



13



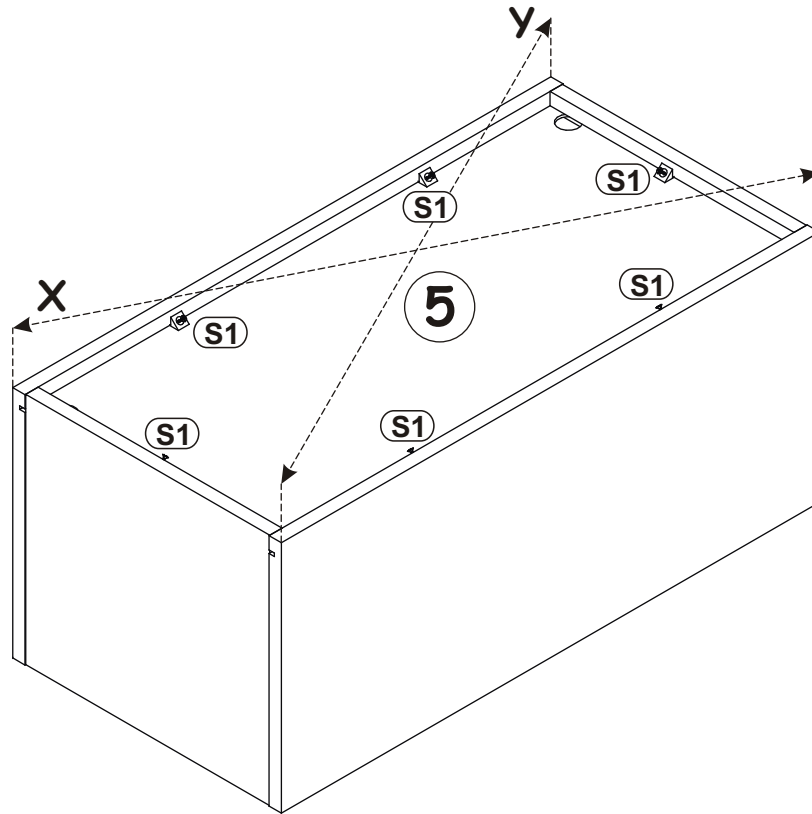
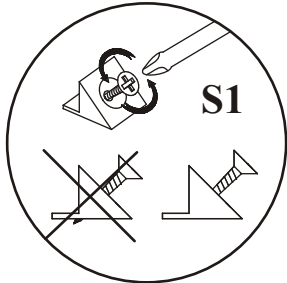
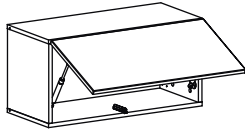
14





S1	
x6	

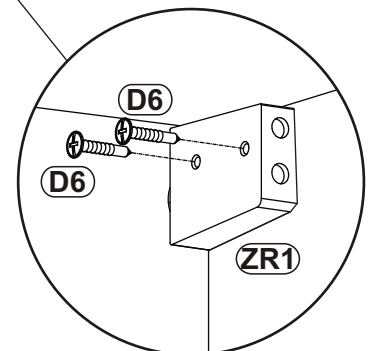
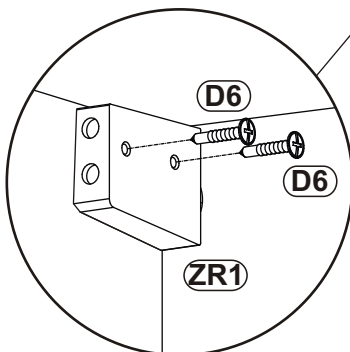
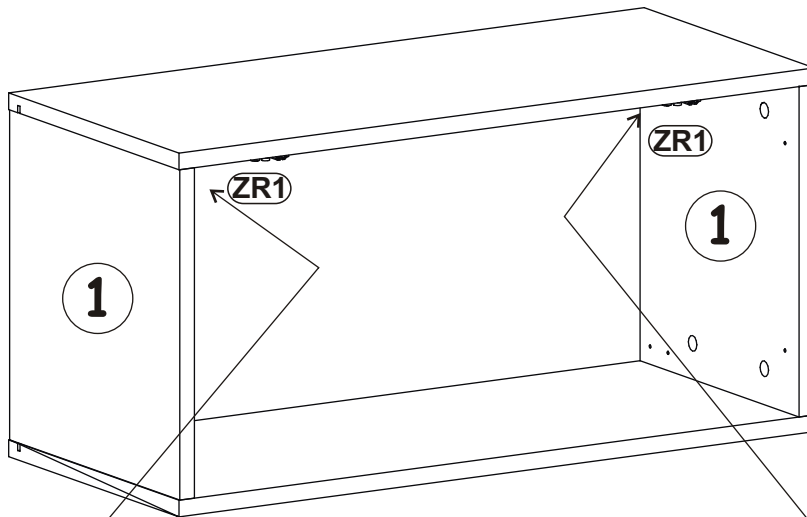
15



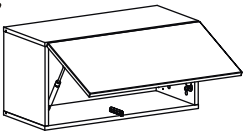
16

ZR1	
x2	

D6	
x4	USØ3,5x30

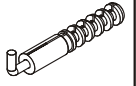


17

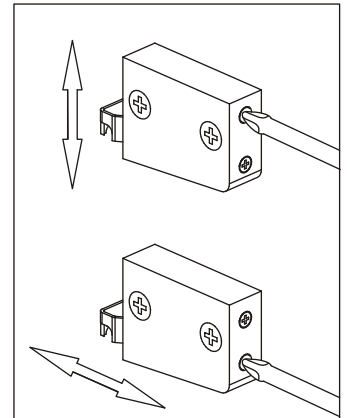
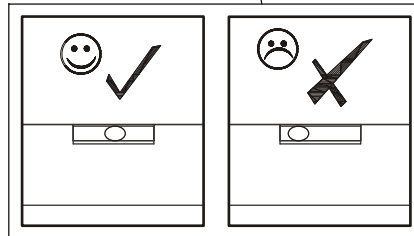
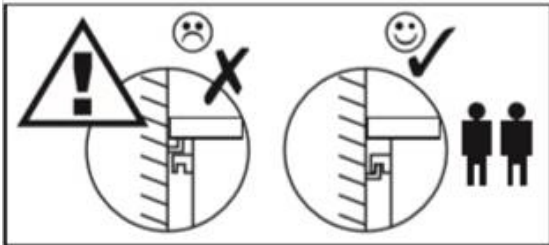
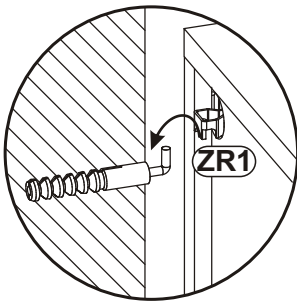
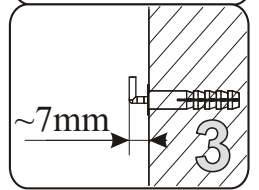
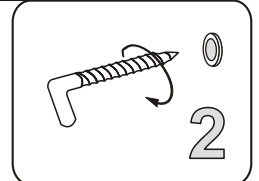
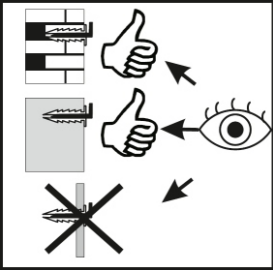
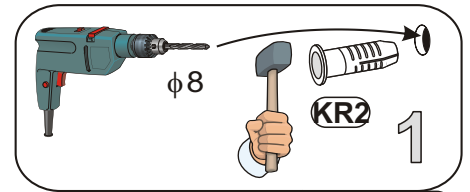
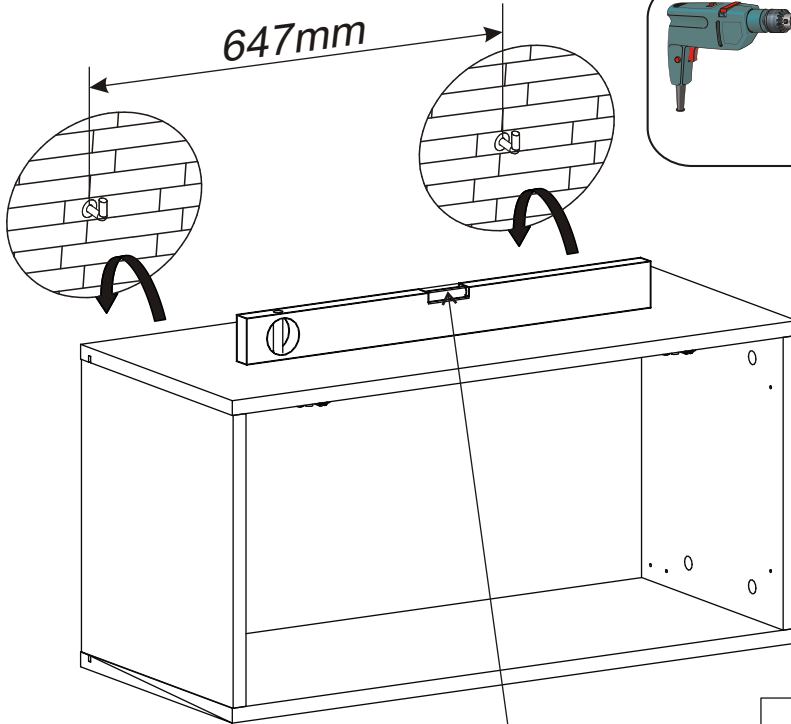


KR2

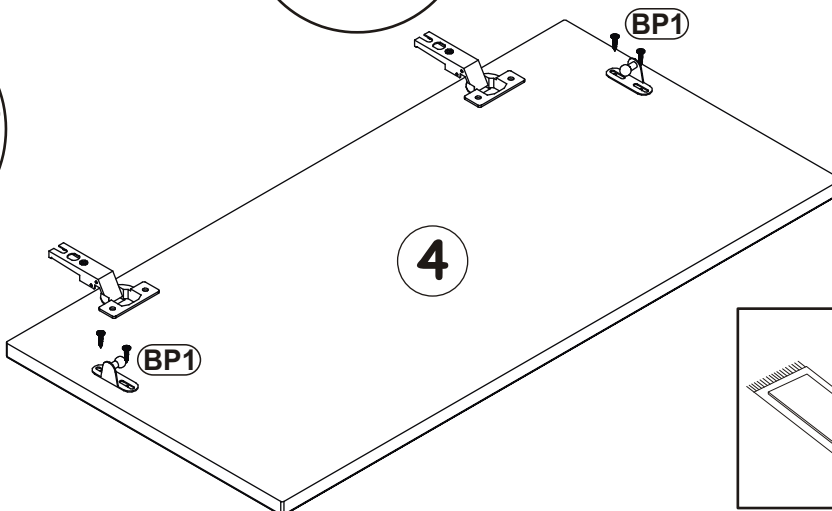
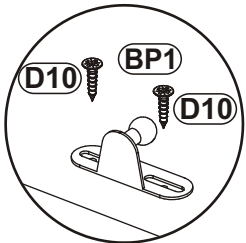
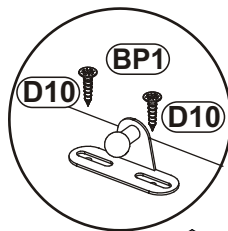
x2



647mm



18



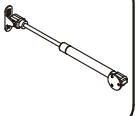
D10

x4



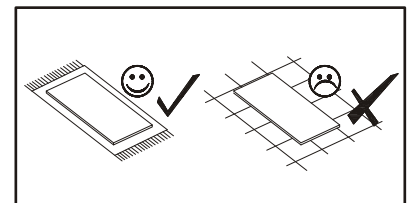
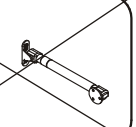
BP1

x2



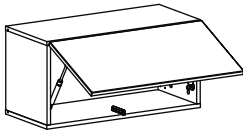
~~BO1~~

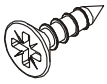
~~x2~~




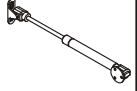
BLOX TYP 21

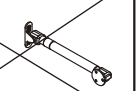
19

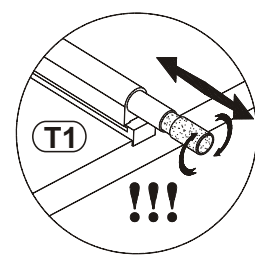
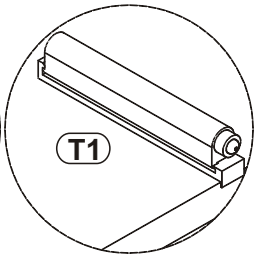
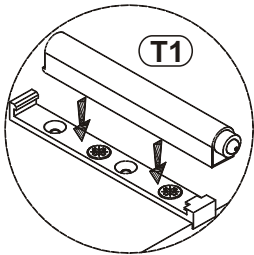
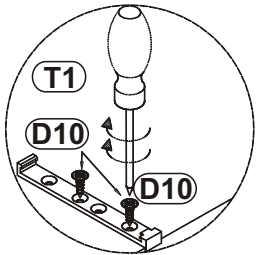
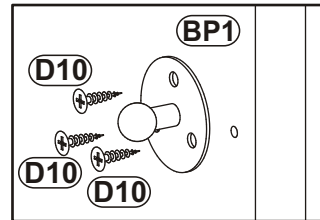
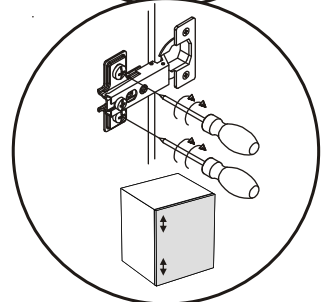
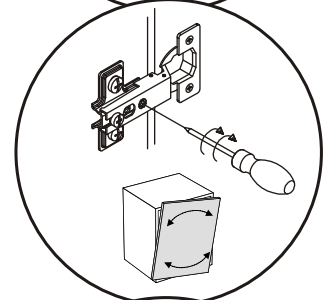
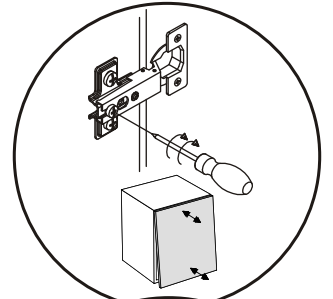
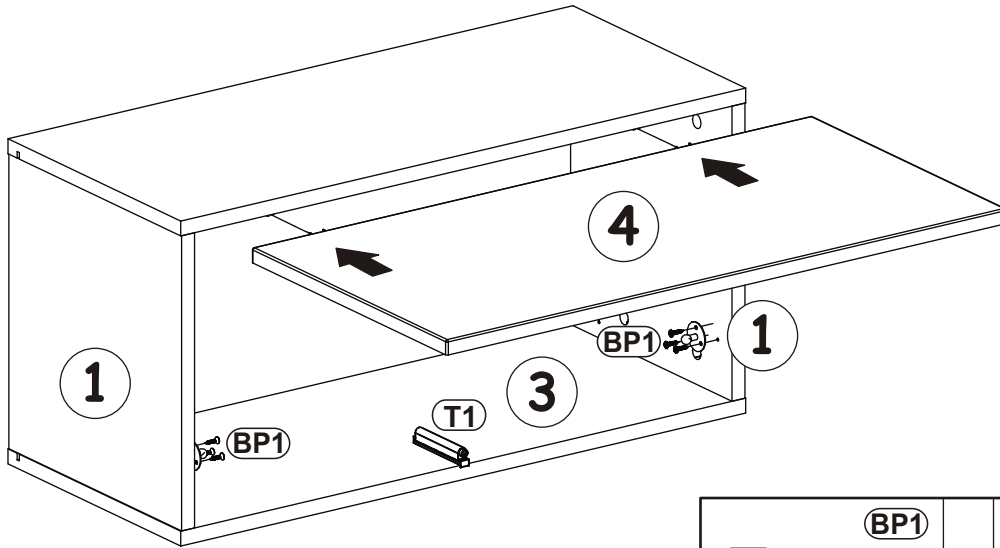


D10	
x8	USØ3,5x13

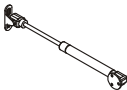
T1	
x1	

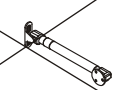
BP1	
x2	

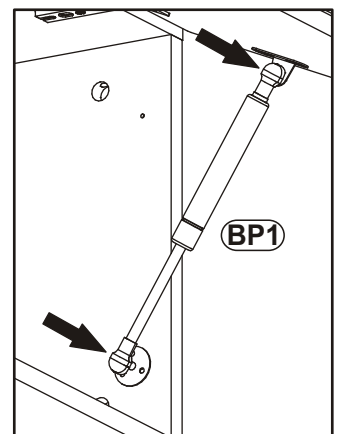
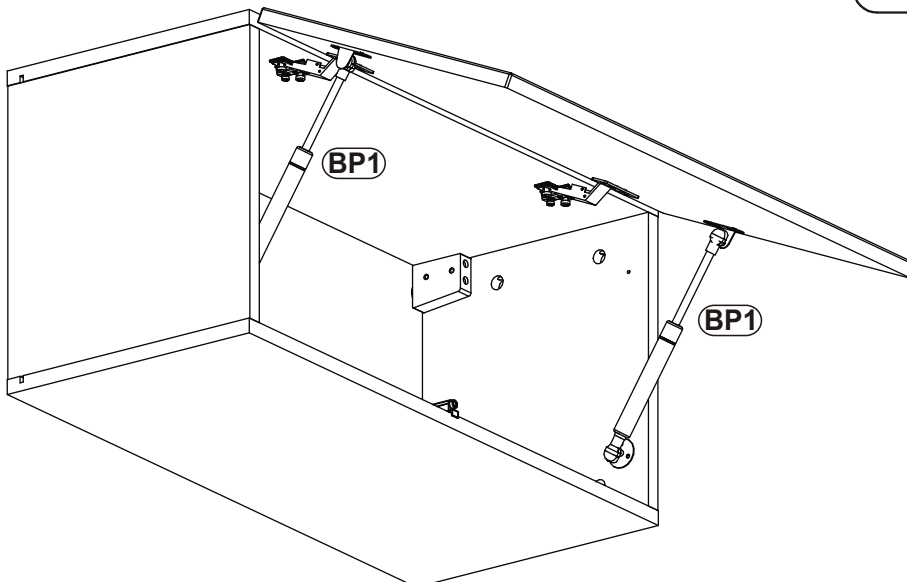
BO1	
x2	



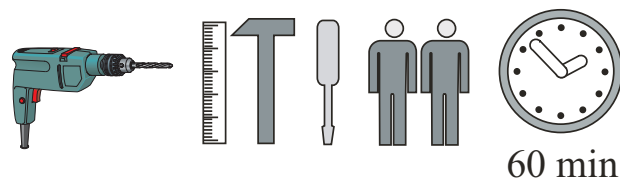
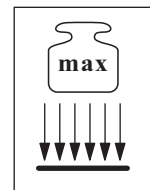
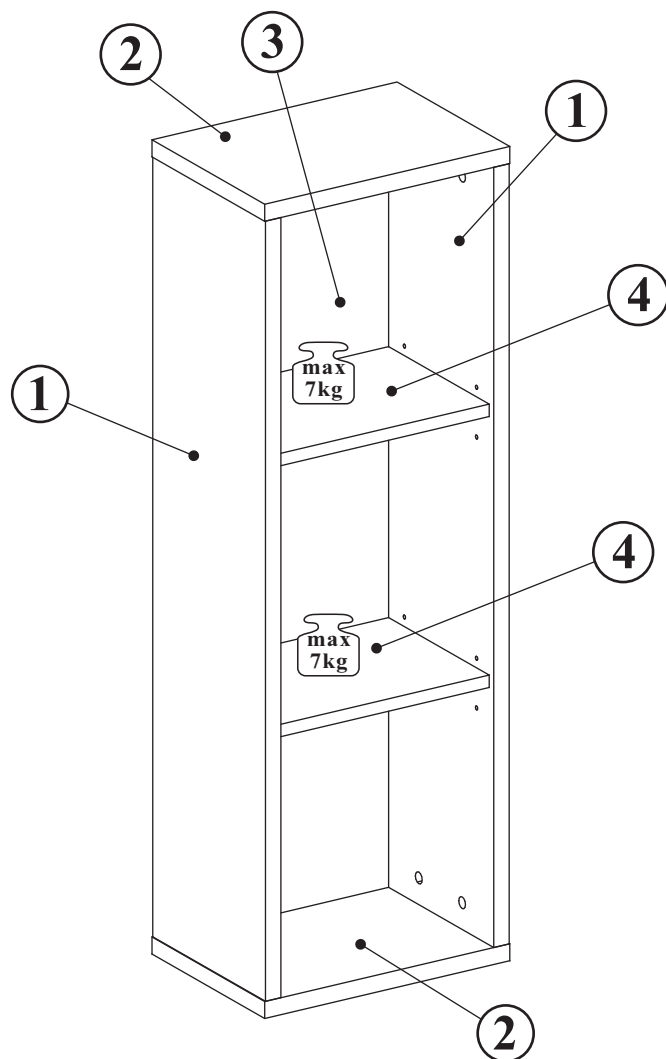
20

BP1	
x2	

BO1	
x2	

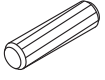
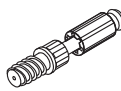
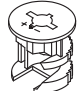
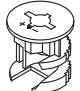

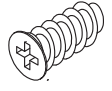
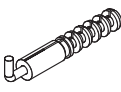
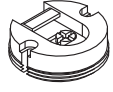

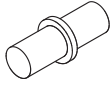


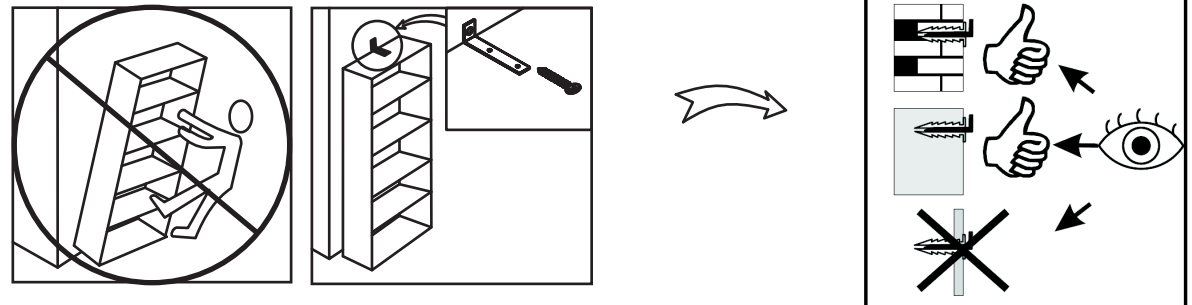
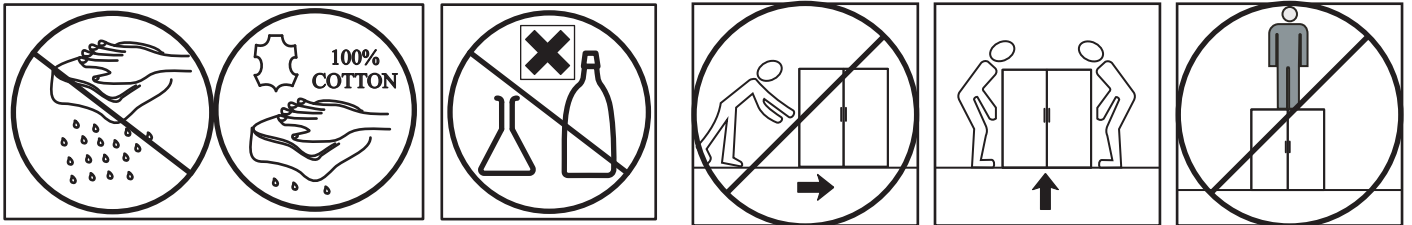
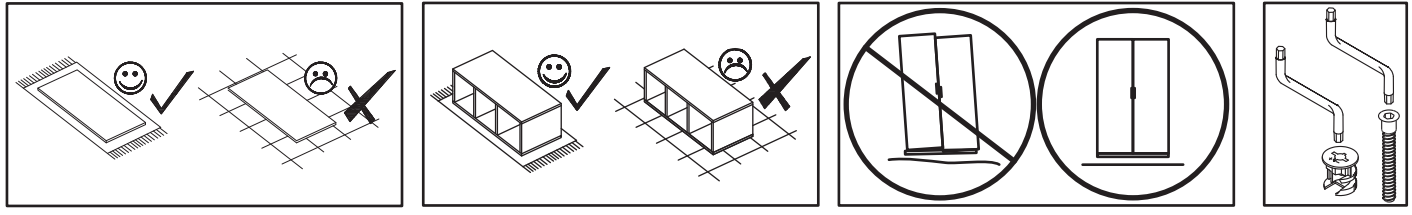
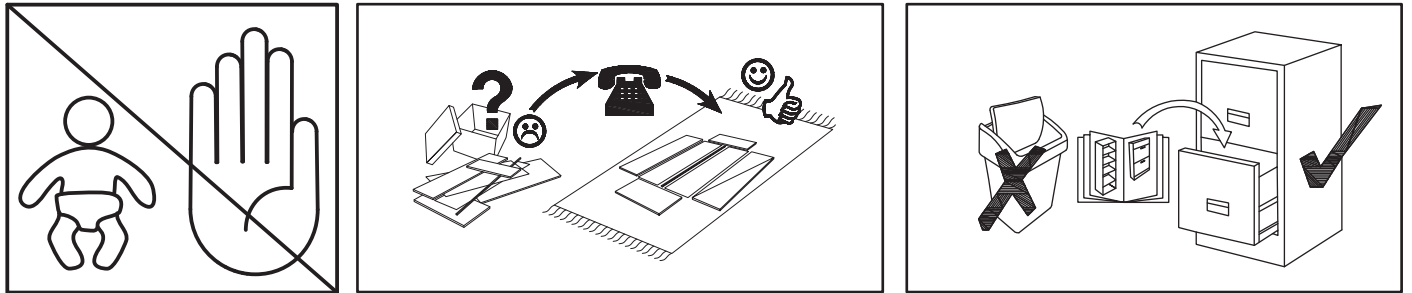
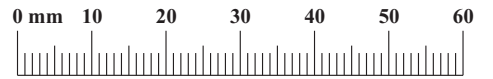
BLOX TYP - 16

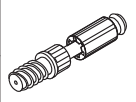


NO	Dim.		Col.-No	Qty
1	1005	250	1	2
2	349	250	1	2
3	1005	303	1	1
4	303	223	1	2

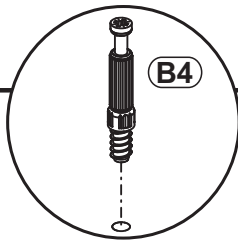
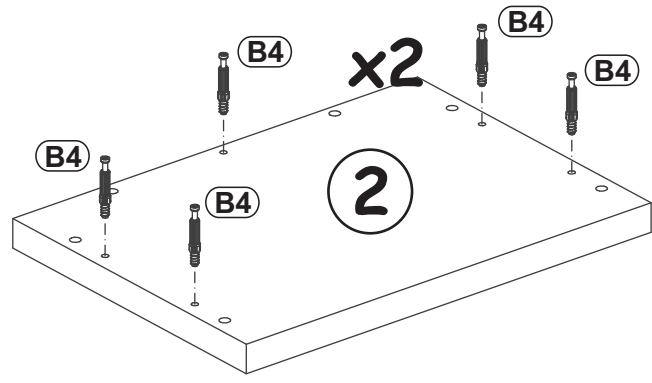
BLOX TYP - 16

A1 x20  ø8x36	B4 x18 	B5 x10  ø15x12	B16 x8  Ø15x16	G5 x18 	D28 x4  ESØ6x9,5
KR2 x2 	ZM1 x2 	G2 x1 	G7 x8 		

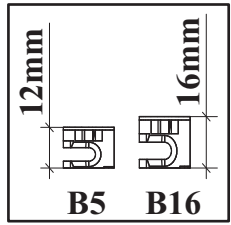


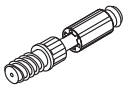
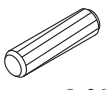
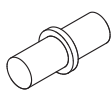

B4	
x10	

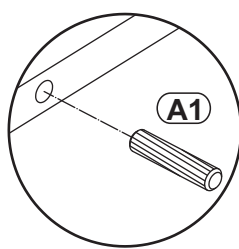
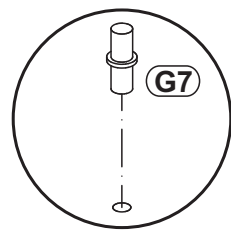
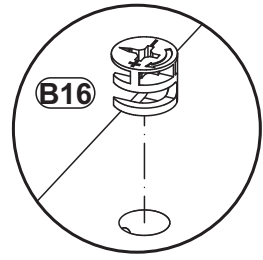
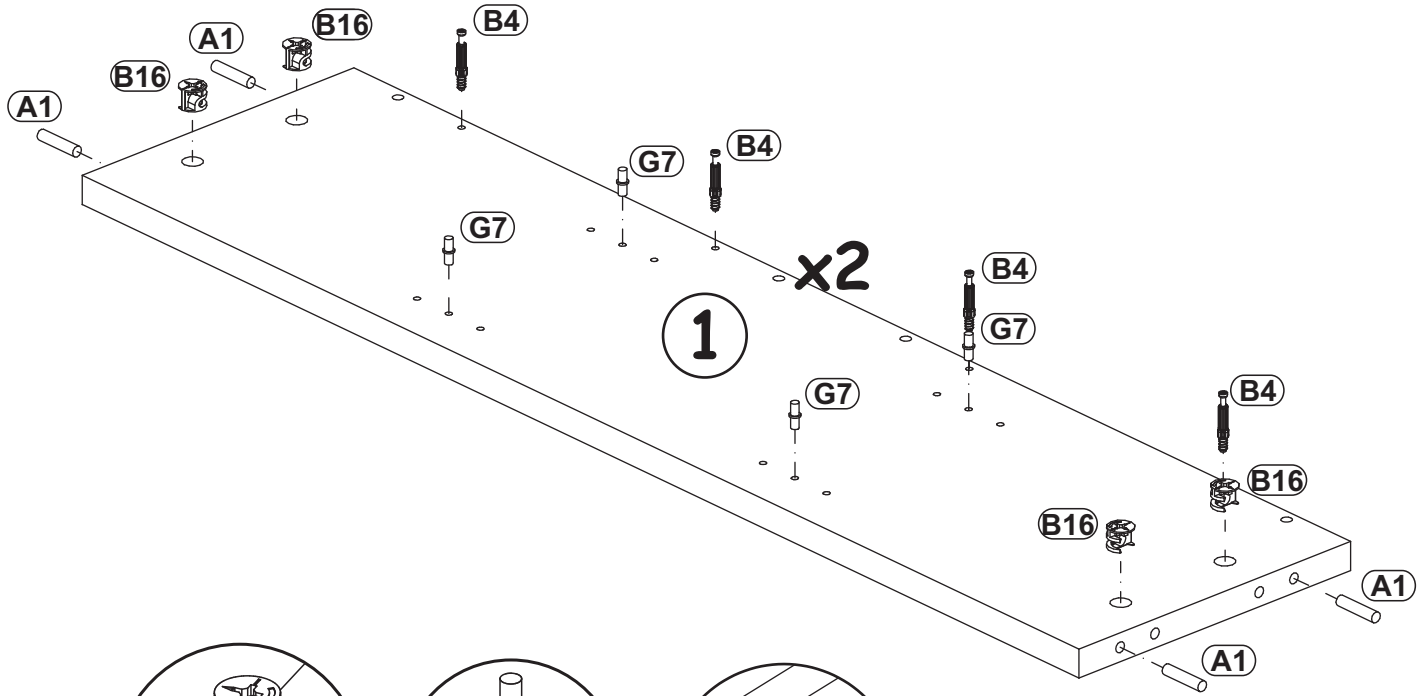
1



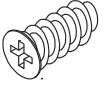
2

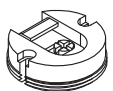


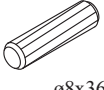
B4		A1	
x8		x8	ø8x36
G7		B16	
x8		x8	Ø15x16




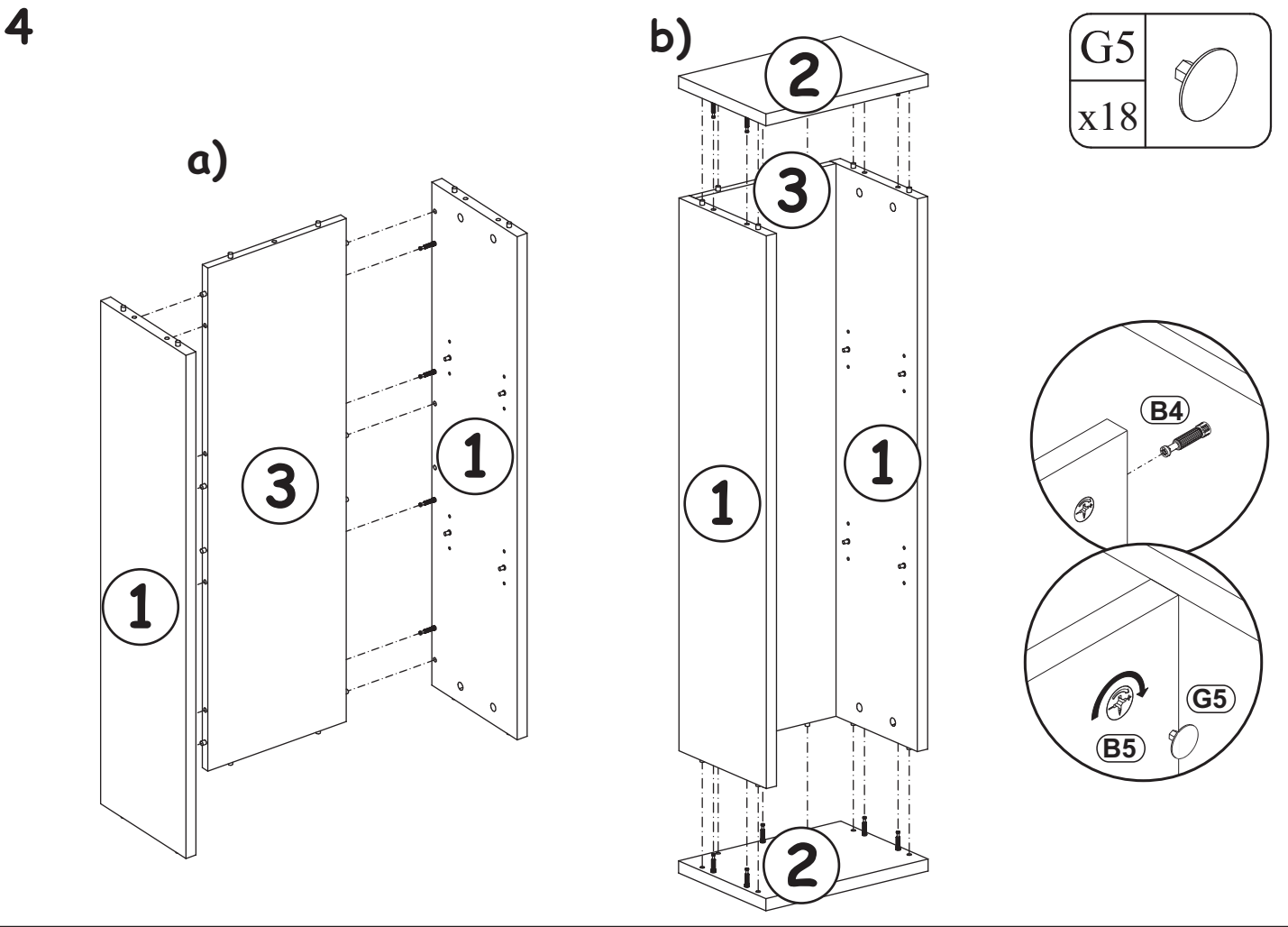
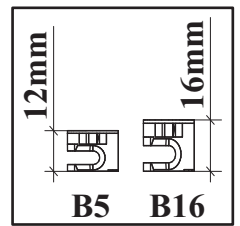
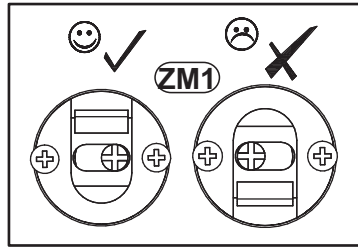
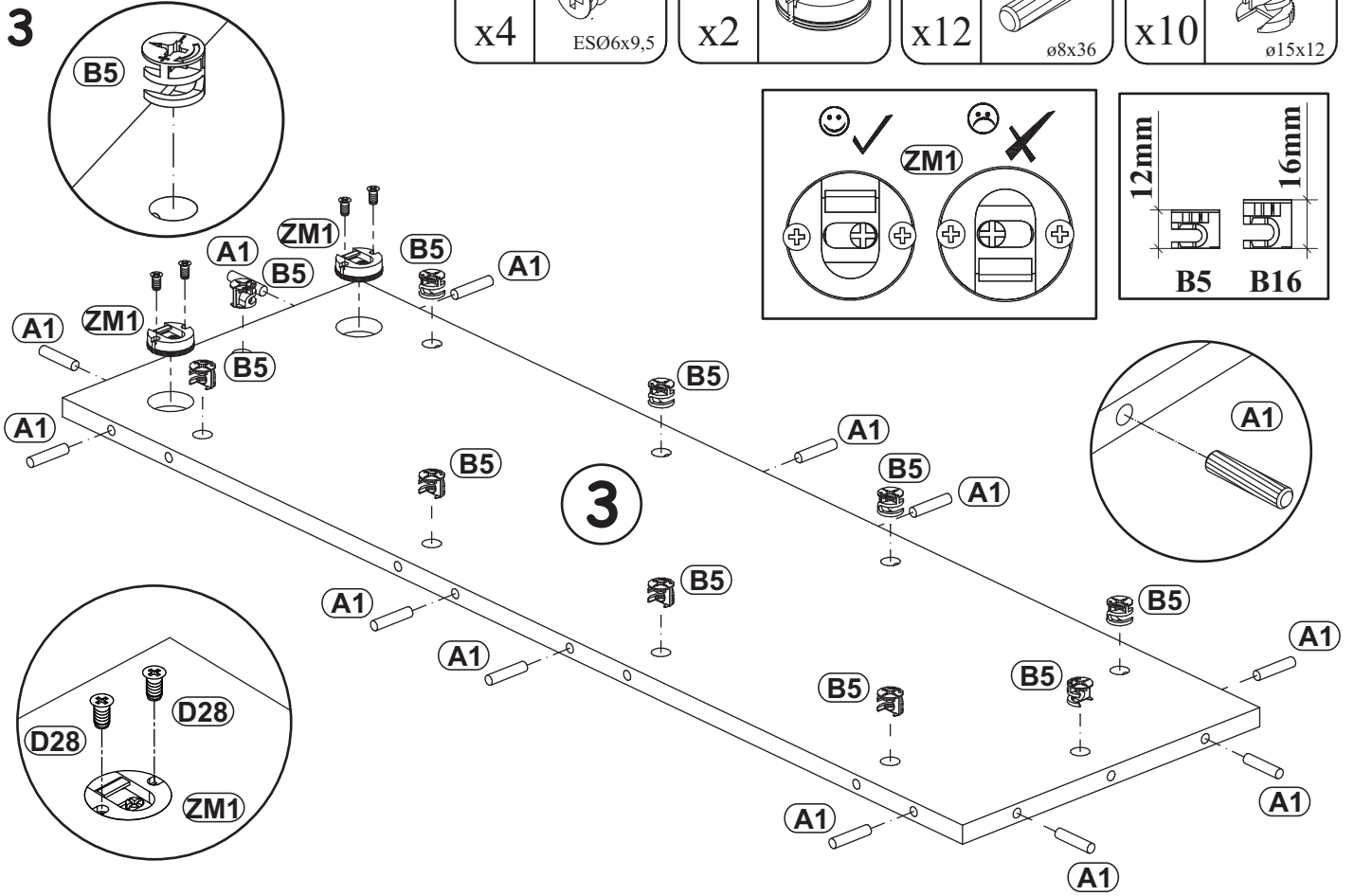
BLOX TYP - 16


D28	
x4	ESØ6x9,5

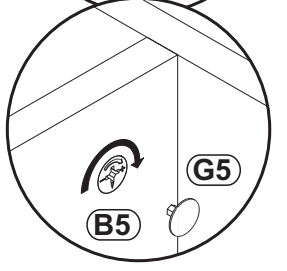
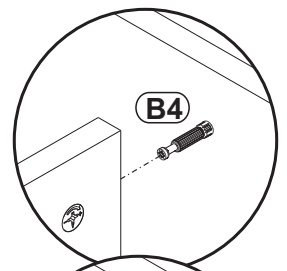
ZM1	
x2	

A1	
x12	ø8x36

B5	
x10	ø15x12



G5	
x18	



BLOX TYP - 16

5

