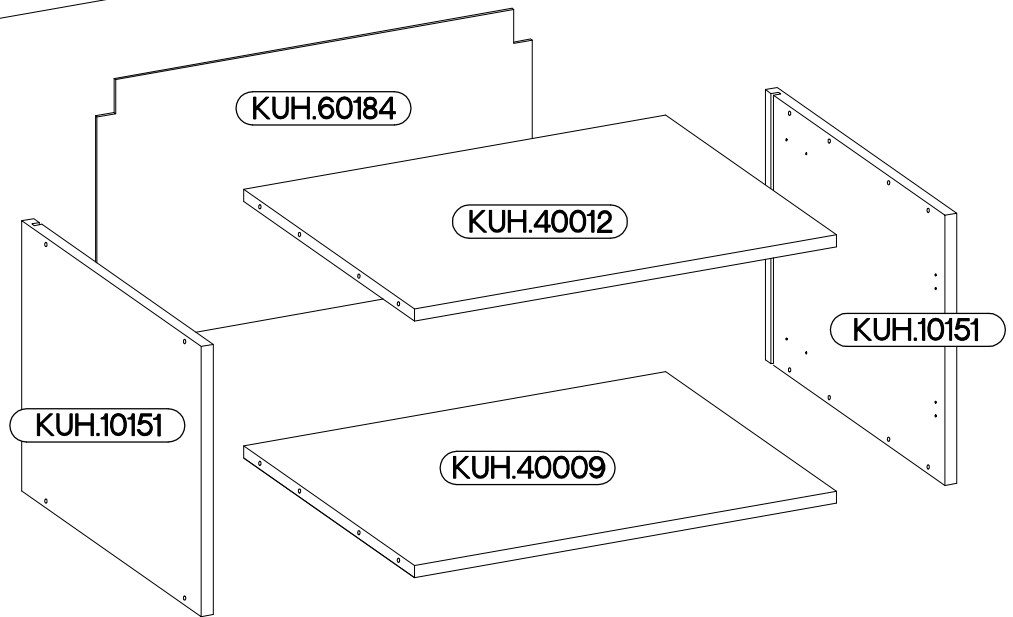
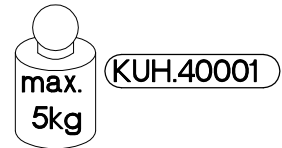
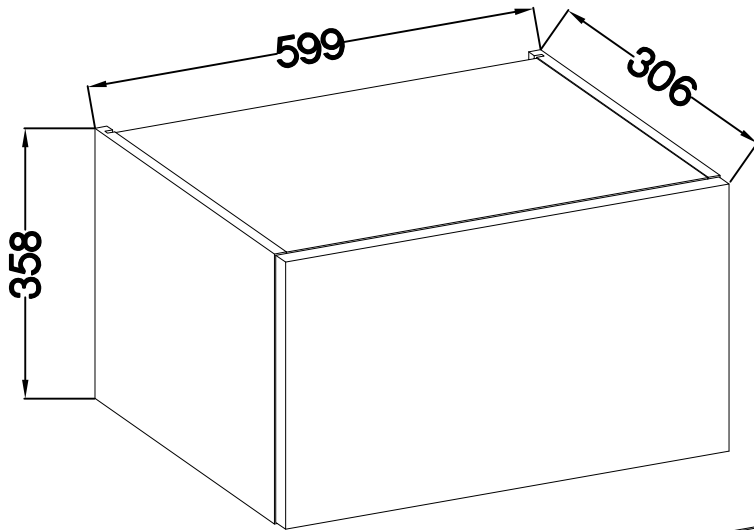
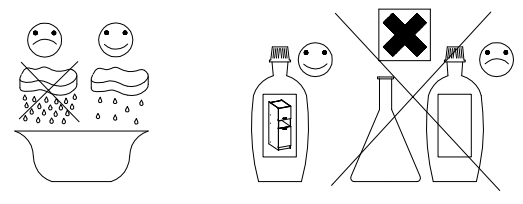
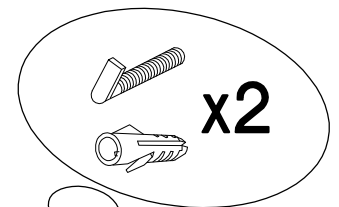


60 GU-36 1F
60 GUS-36 1F

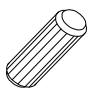
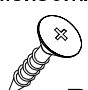
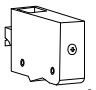


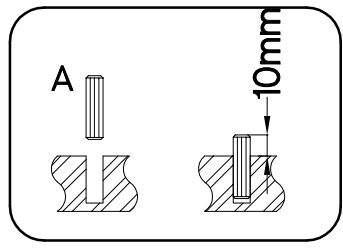
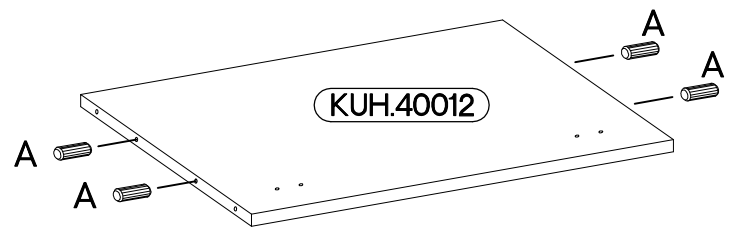
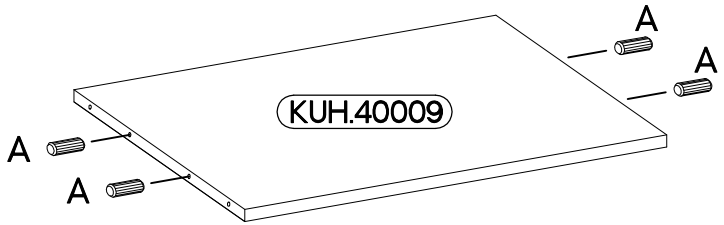
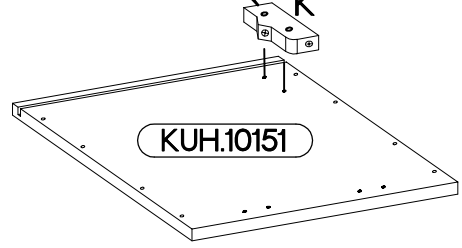
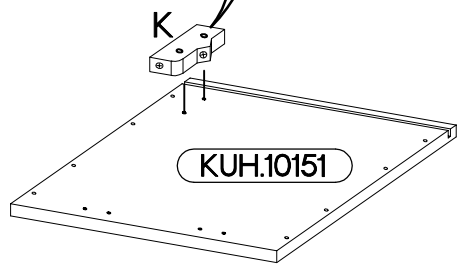
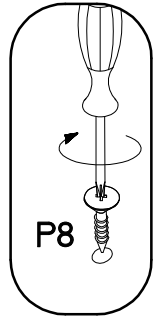
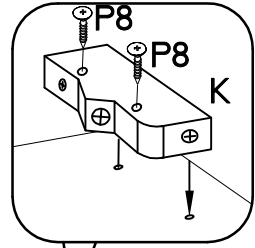
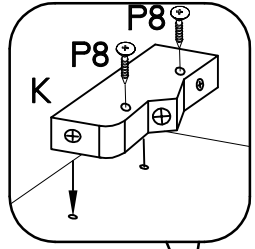
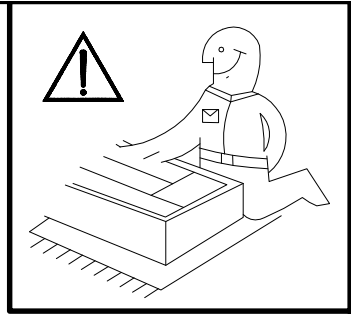
<p>8x30mm A</p>	<p>6,4 x 50mm B</p>	<p>E1</p>	<p>35/0mm HG</p>	<p>K</p>
8	8	8	2	2
<p>K24</p>	<p>O</p>	<p>3.5x13mm P5</p>	<p>3.0x20mm P7</p>	<p>4.0x30mm P8</p>
2	1	4	8-10	4



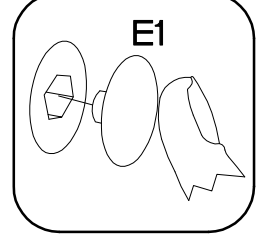
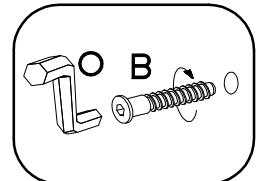
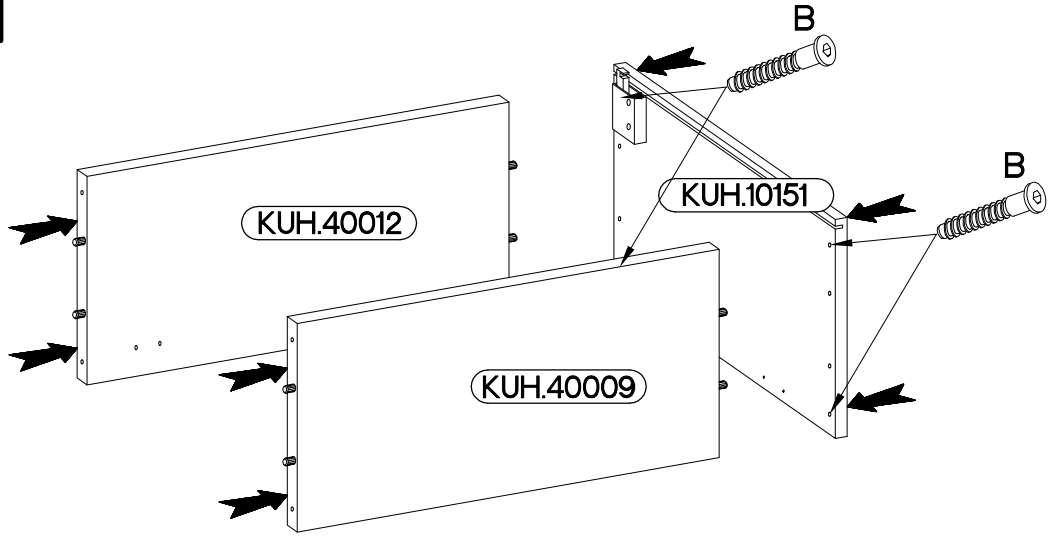
ISM-KUH-01627


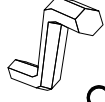
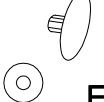
1

$\pm 8 \times 30 \text{mm}$	$\pm 4.0 \times 30 \text{mm}$	
		
A	P8	K
8	4	2



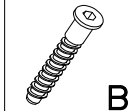
2



$6,4 \times 50 \text{mm}$		
		
B	O	E1
4	1	4

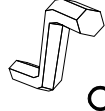
3

6,4 x 50mm



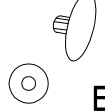
B

4



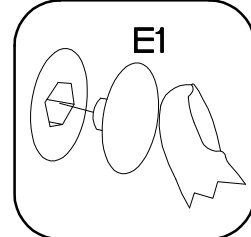
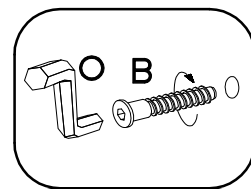
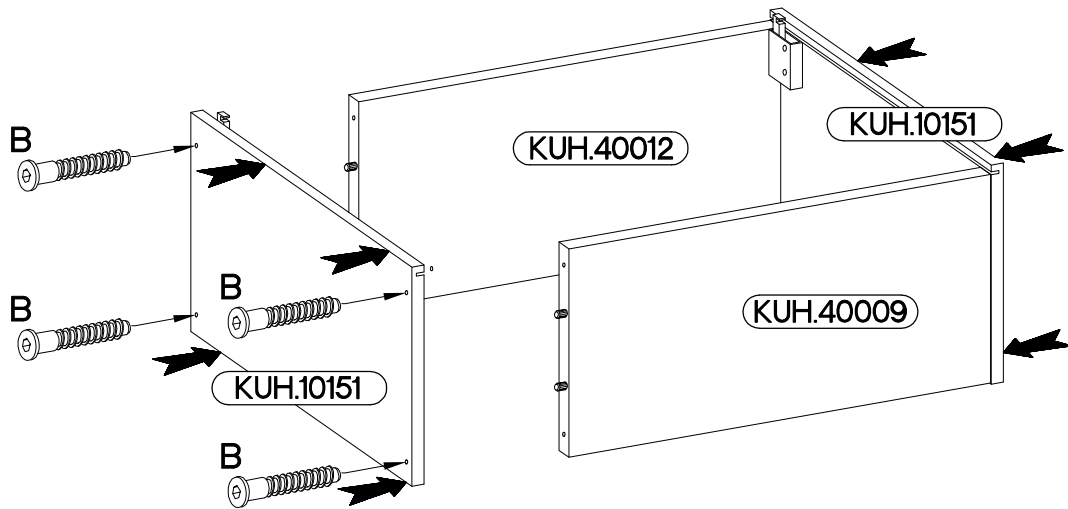
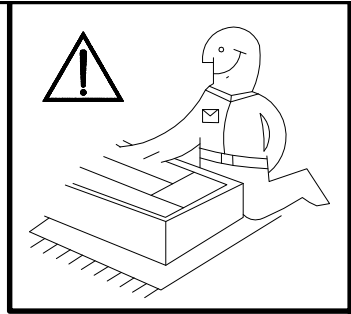
O

1



E1

4



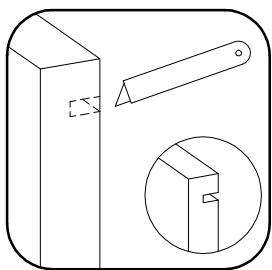
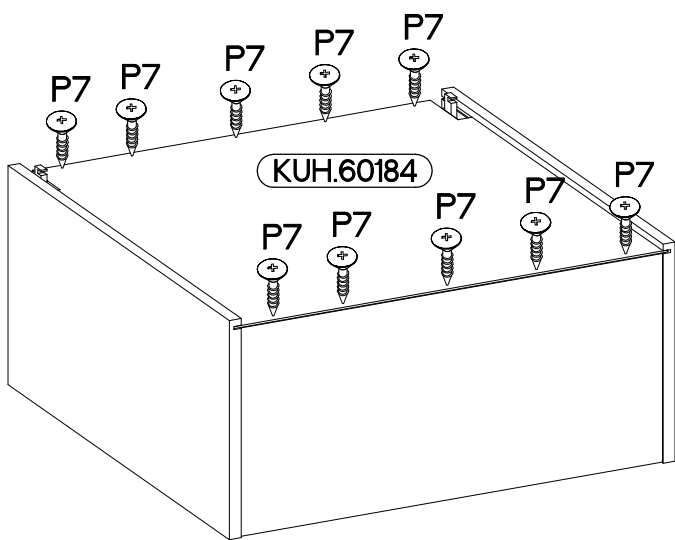
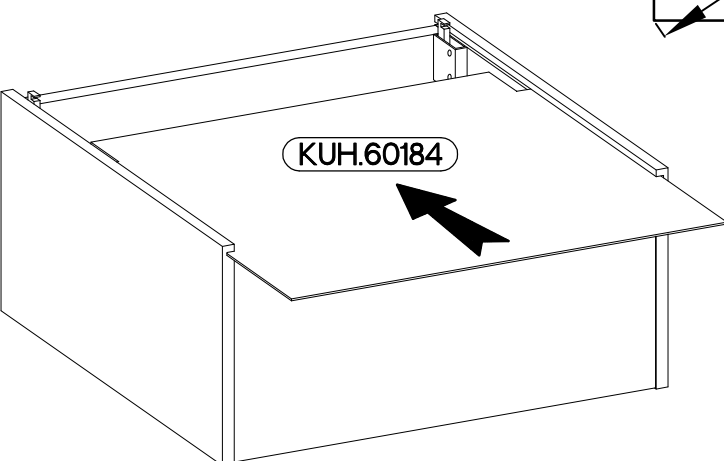
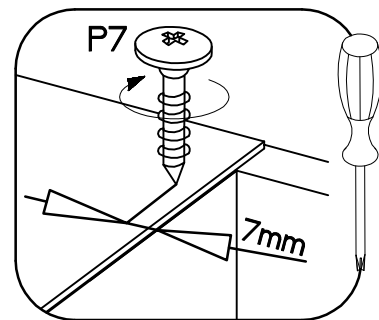
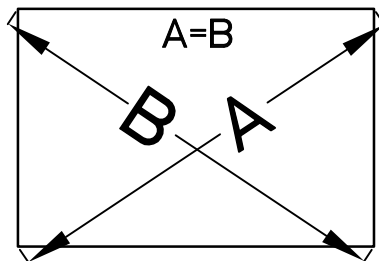
4

±3.0x20mm



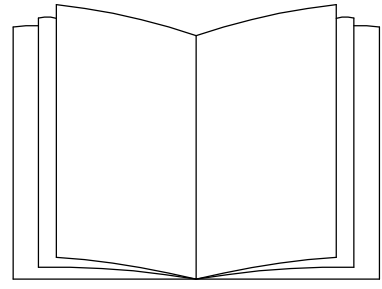
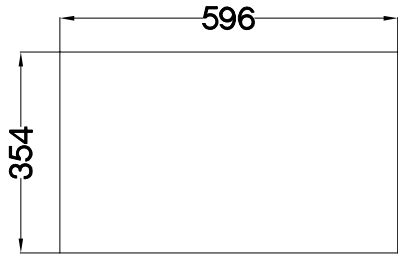
P7

8-10

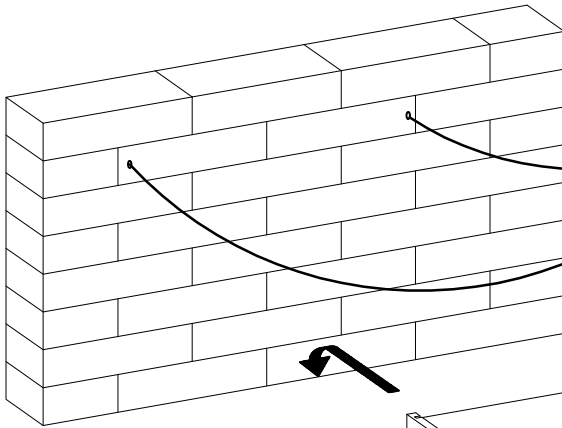


5

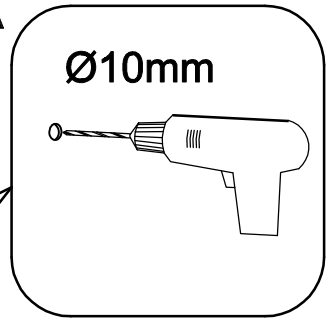
FRONT



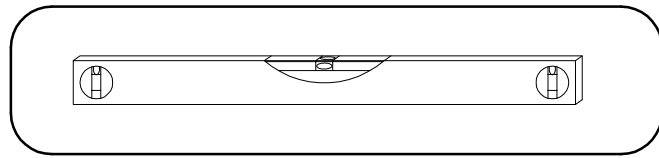
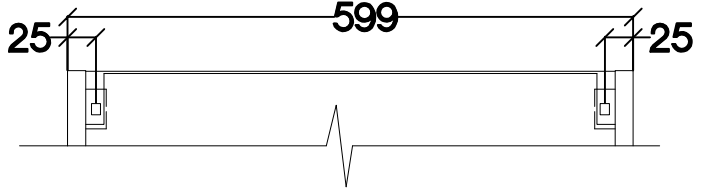
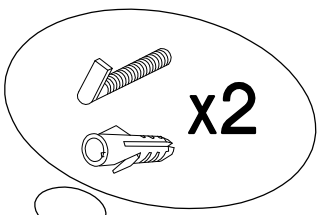
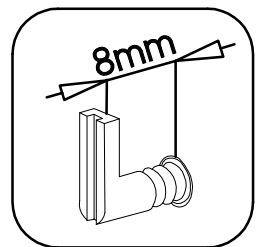
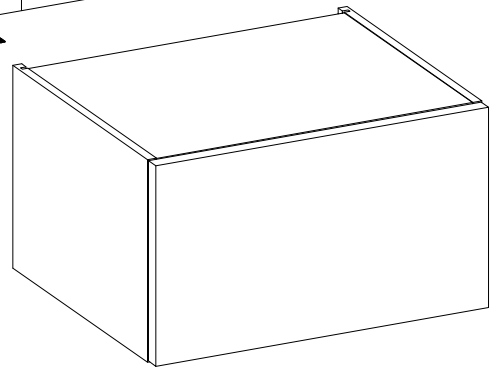
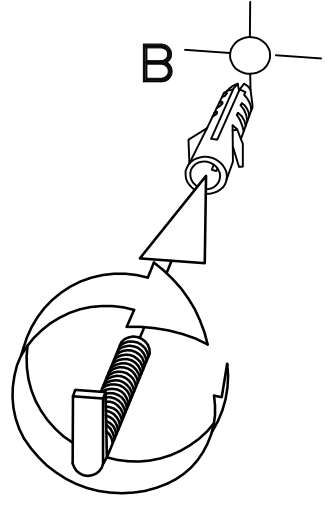
6



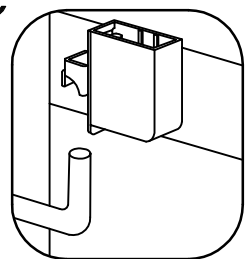
A



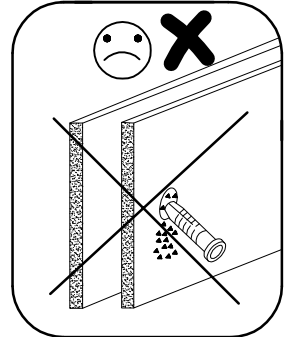
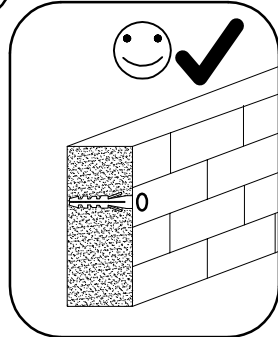
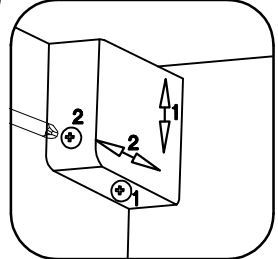
B

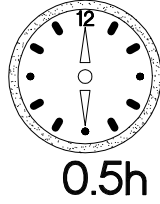
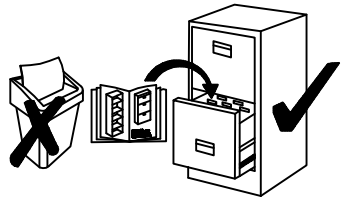
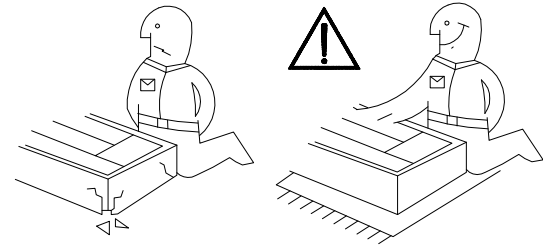
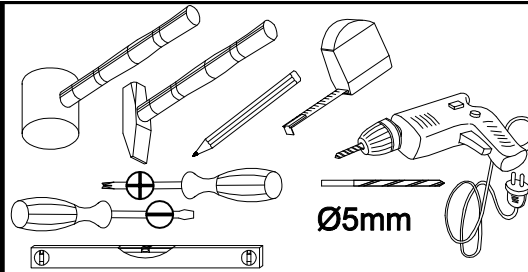
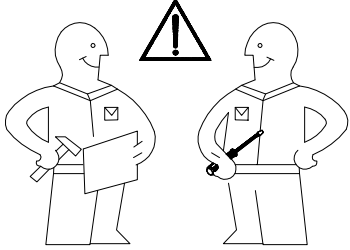


C

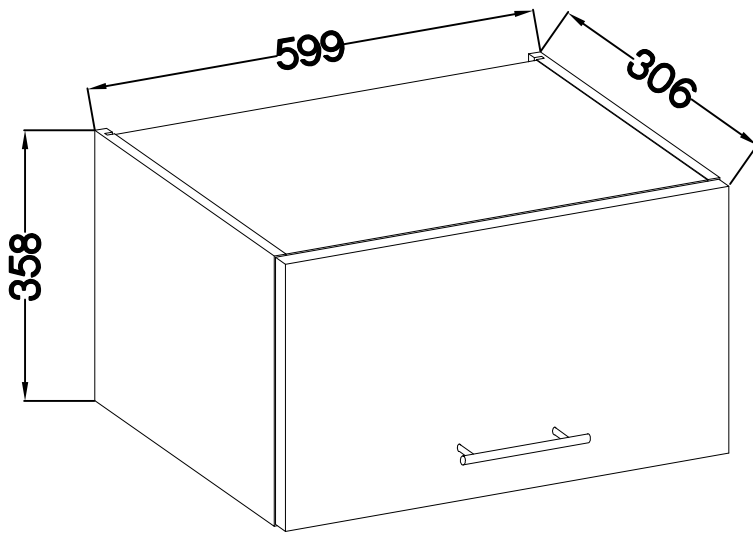
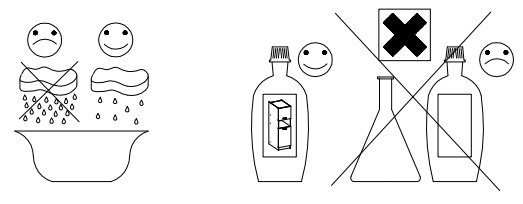


D







60 GU-36 1F
FRONT

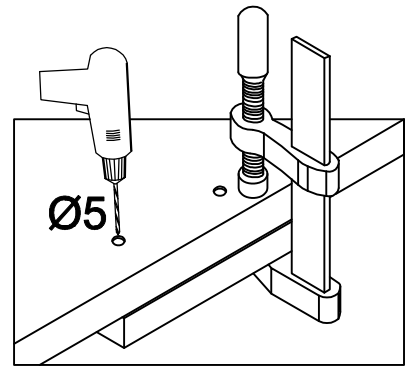
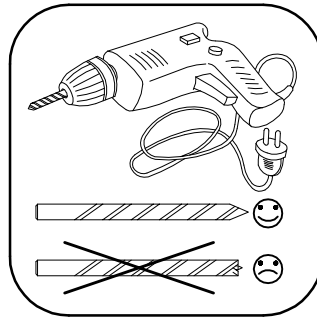
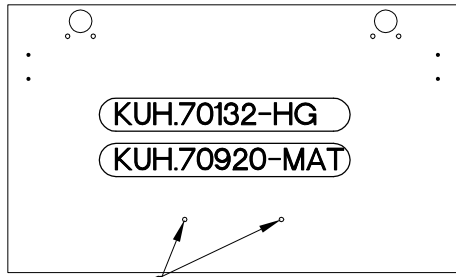


KUH.70132-HG
KUH.70920-MAT



M4x22mm	L=128mm
	
U	S
2	1

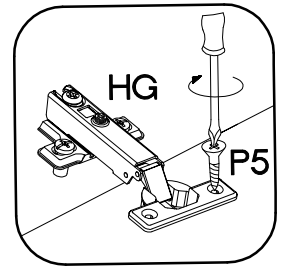
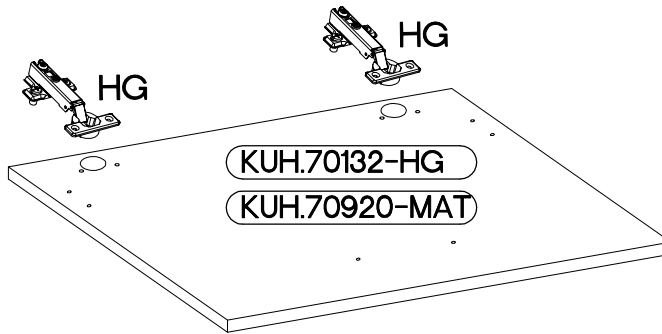
ISM-KUH-01652

1

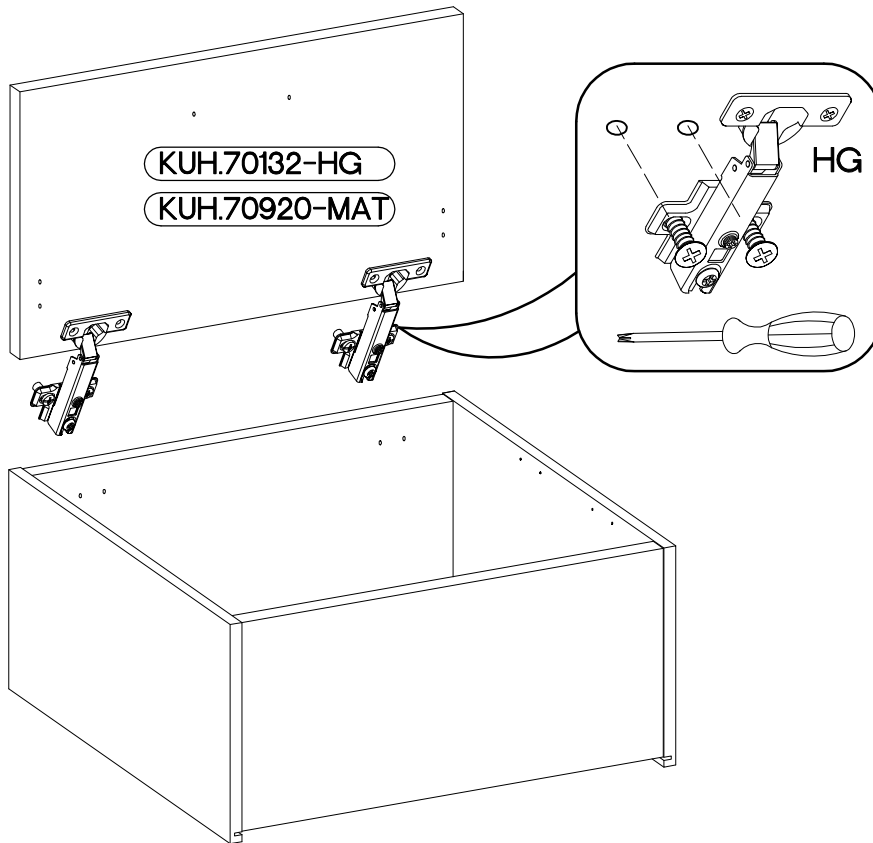


2

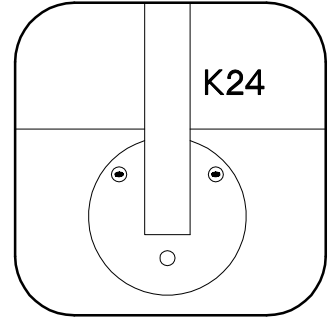
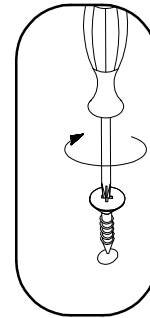
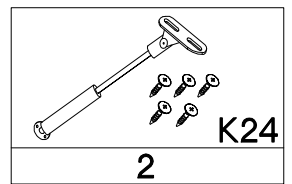
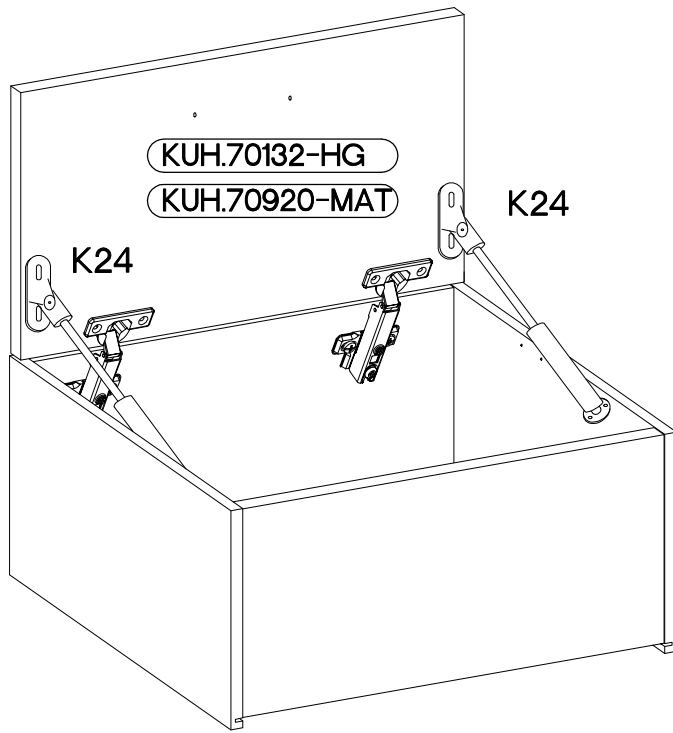
±35/0mm	±3.5x13mm
	
[CD] HG	P5
2	4



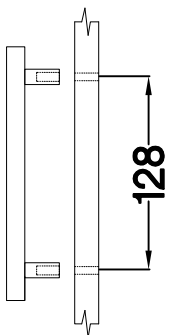
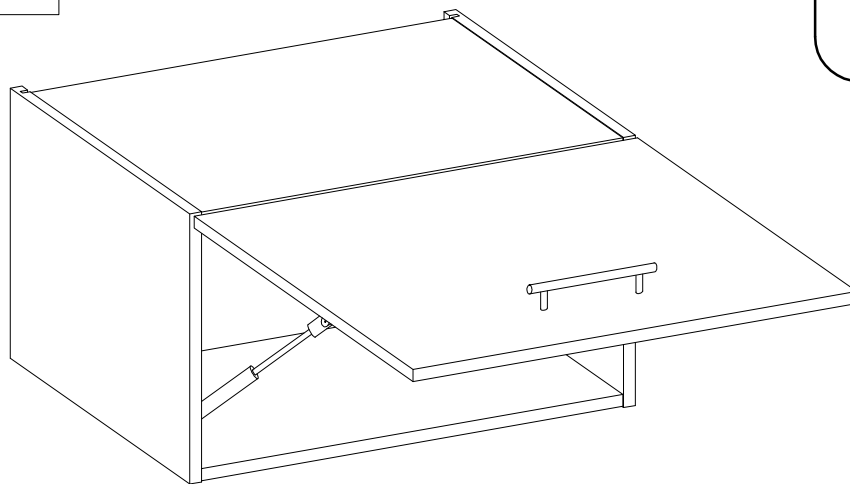
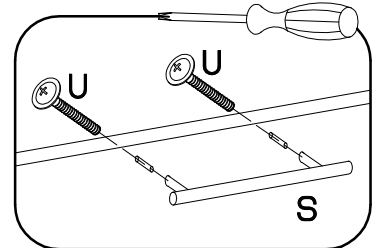
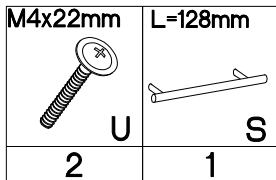
3



4



5



VARIANT HIGH GLOSS

