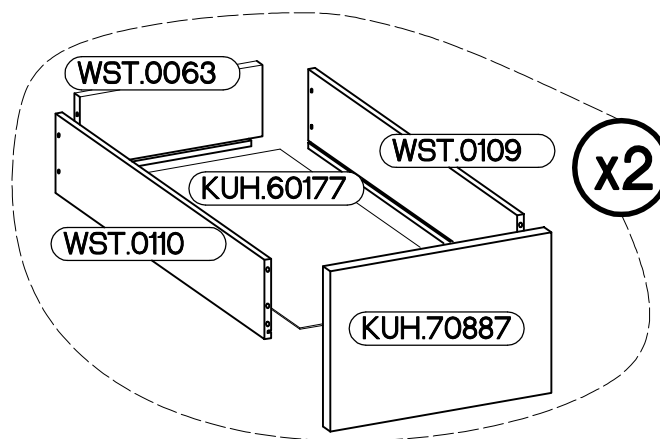
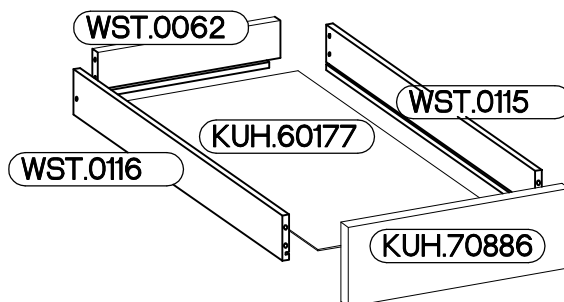
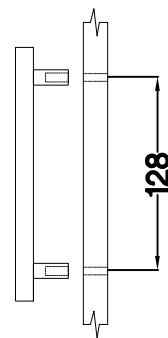
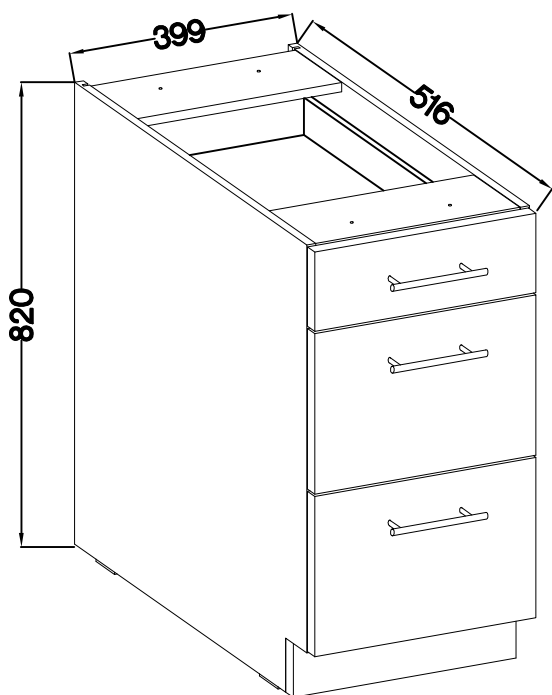
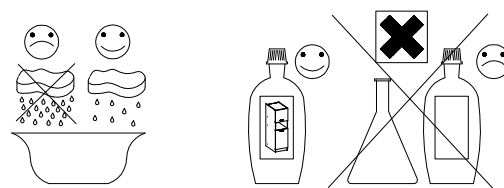




40 D 3S BB -
QUADRO
FRONT


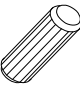



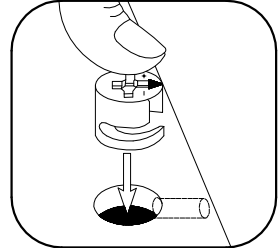
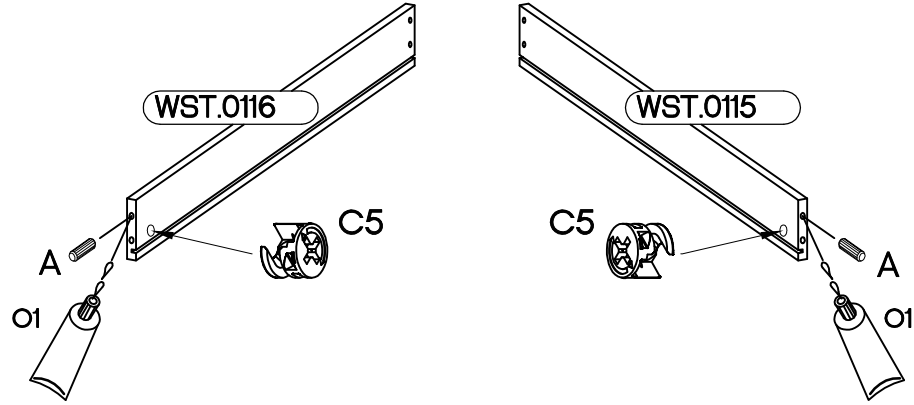
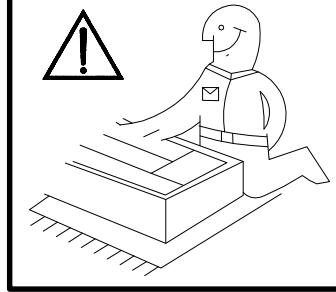
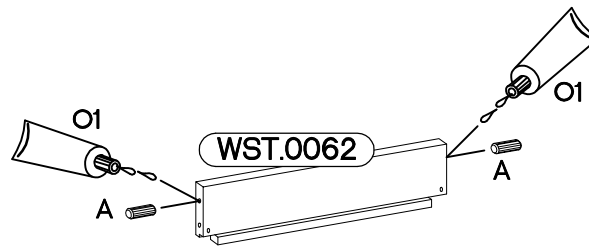
M4x22mm	L=128mm
	
U	S
6	3





ISM-KUH-01637

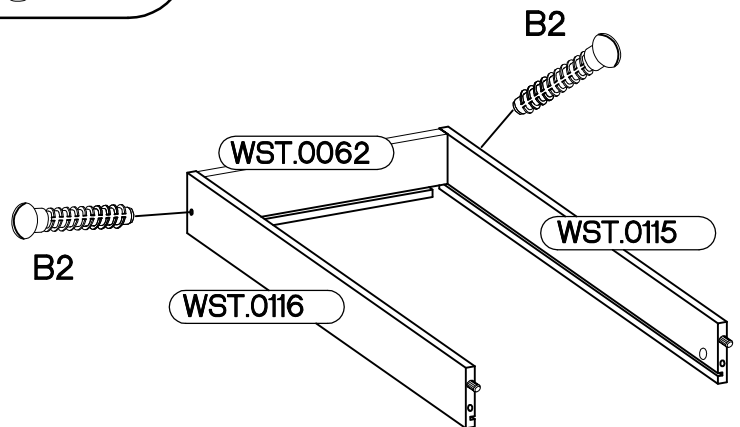
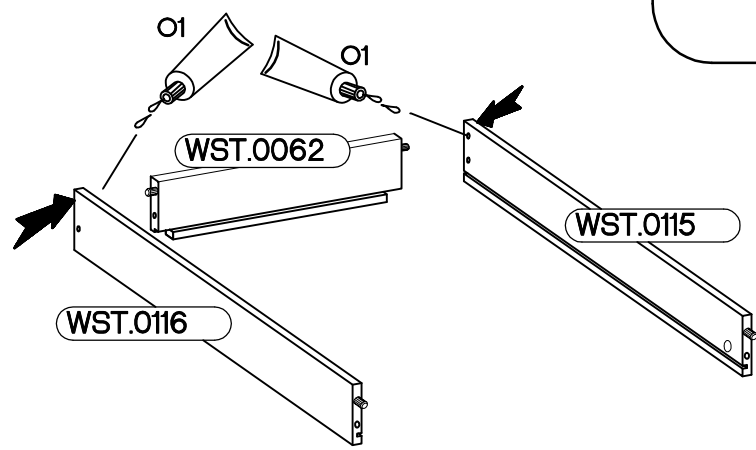
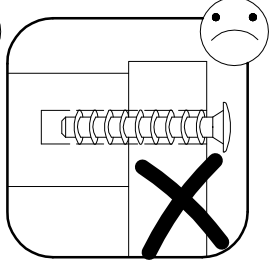
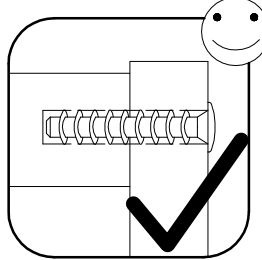
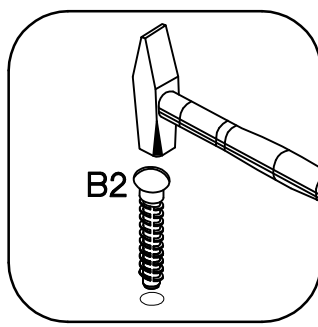
1

$\pm 12/10\text{mm}$  C5 2	$\pm 8 \times 30\text{mm}$  A 4	 O1 1
---	--	---




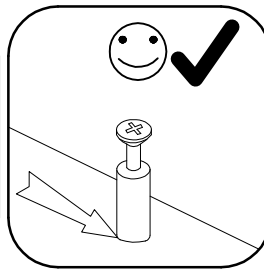
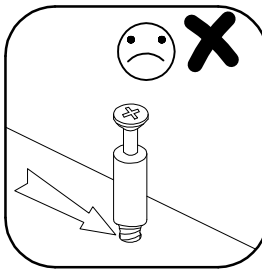
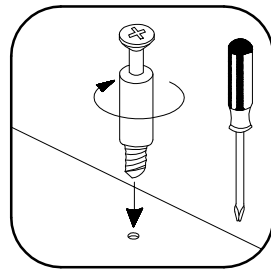
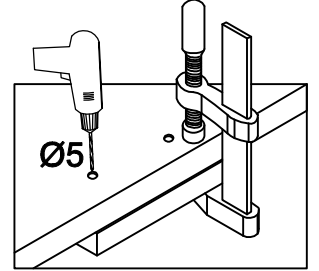
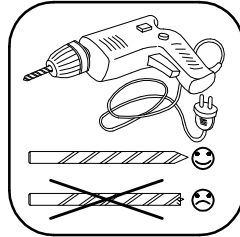
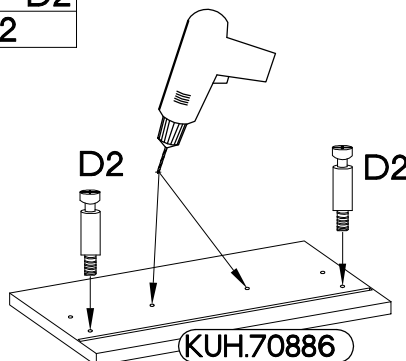
2

$\pm 6 \times 42\text{mm}$  B2 2	 O1 1
---	---

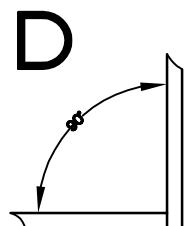
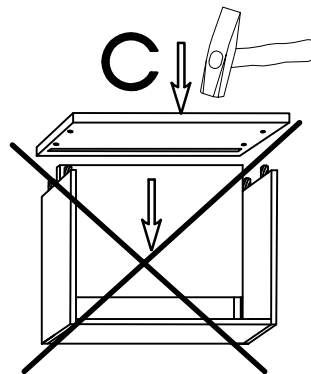
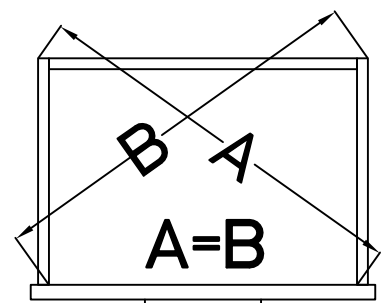
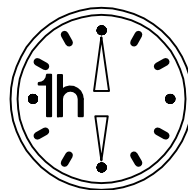
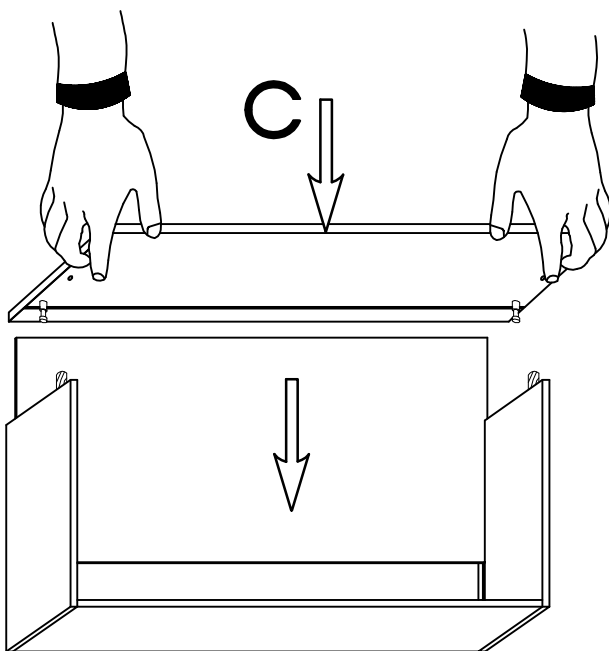
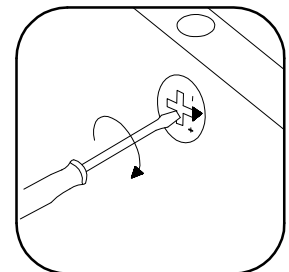
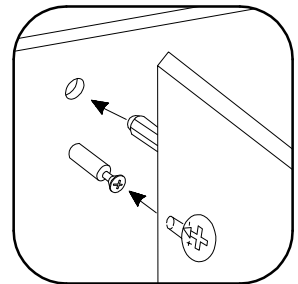
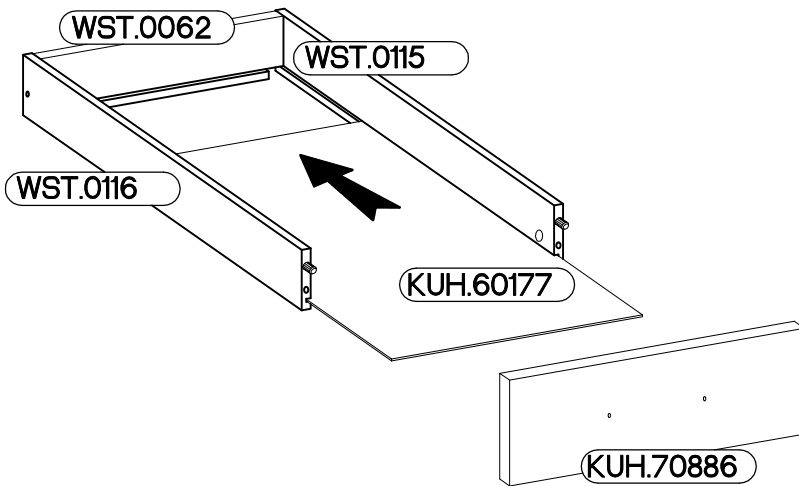
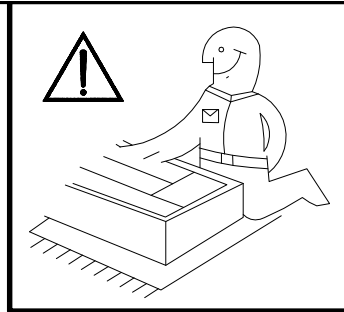
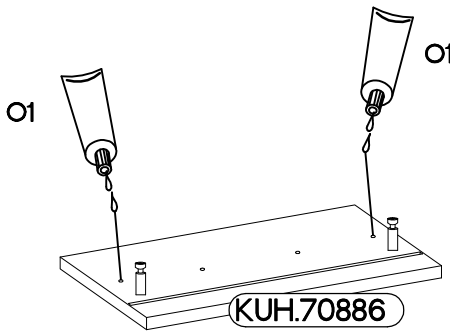
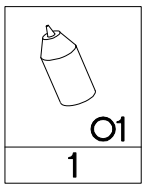


3

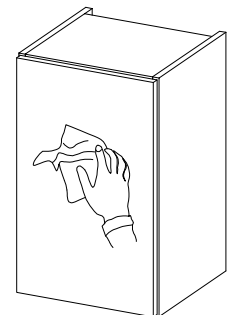
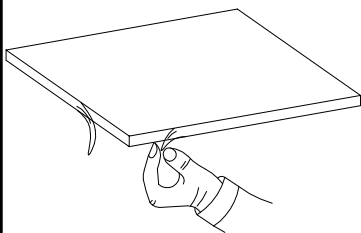
L=20mm  D2 2
--




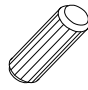

4



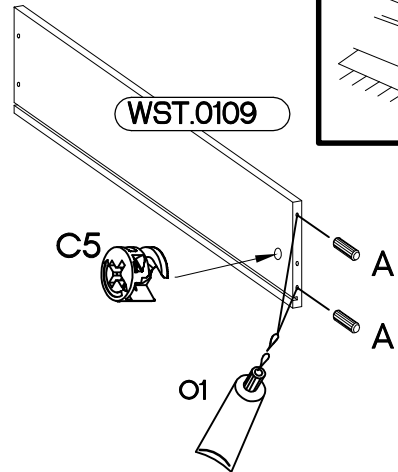
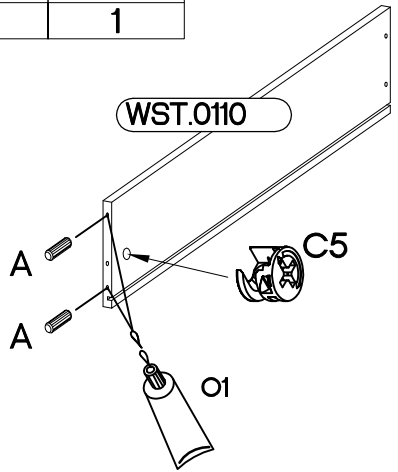
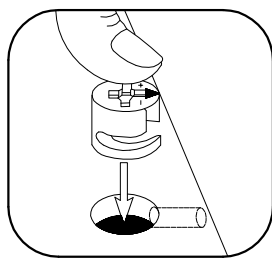
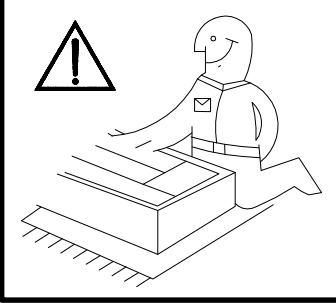
VARIANT HIGH GLOSS




5

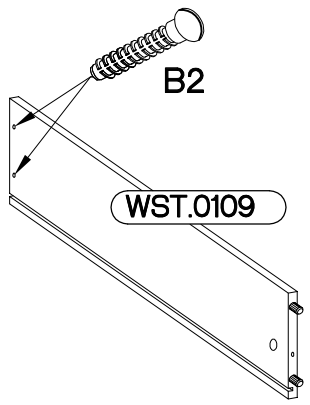
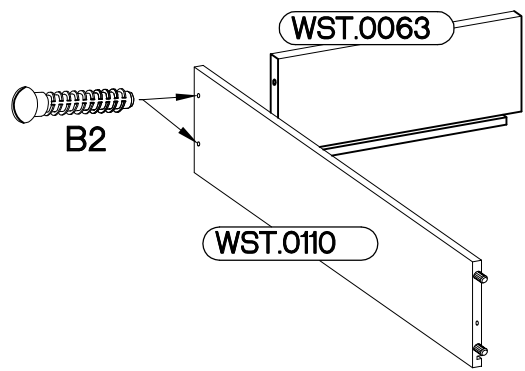
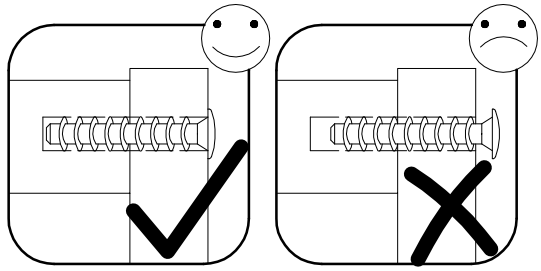
#12/10mm  C5 4	#8x30mm  A 8	 O1 1
---	---	---

x2

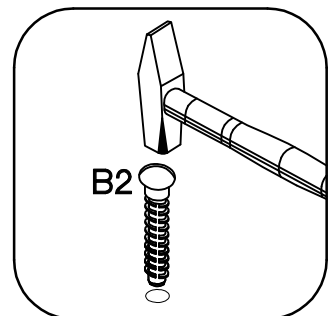


6


#6x42mm  B2 8



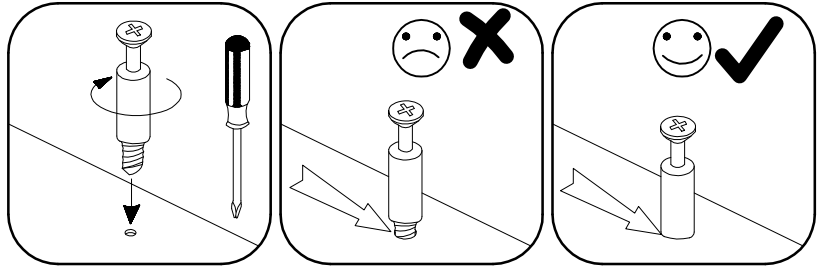
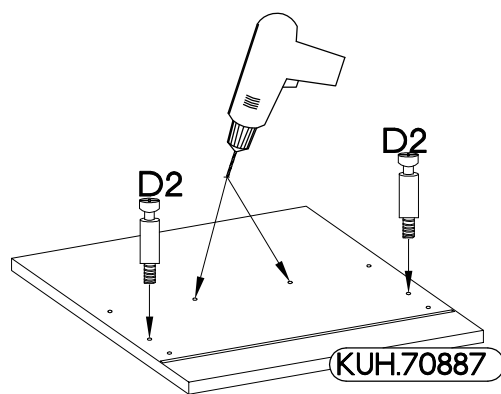
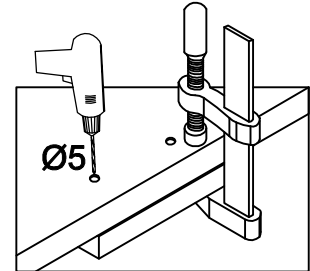
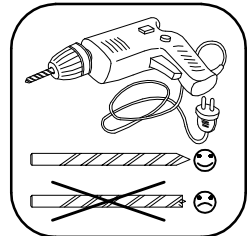
x2



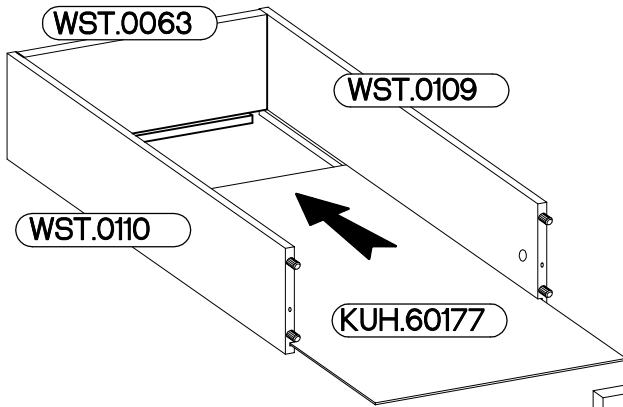
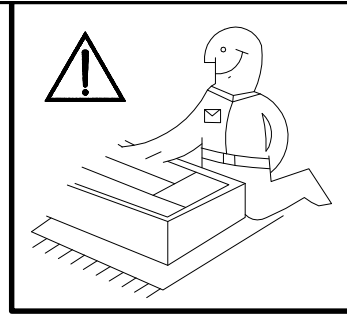
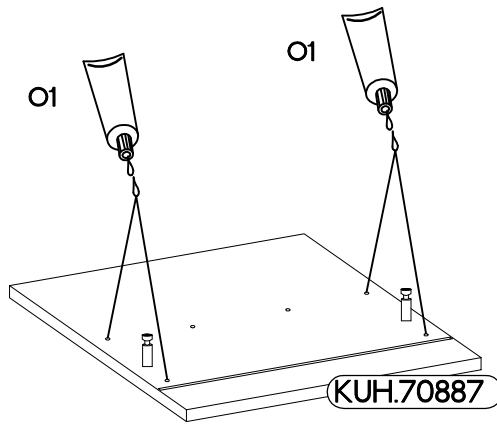
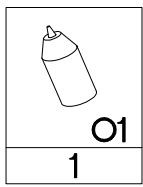
7

L=20mm  D2 4
--

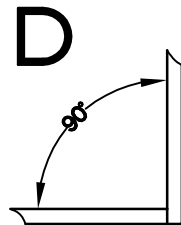
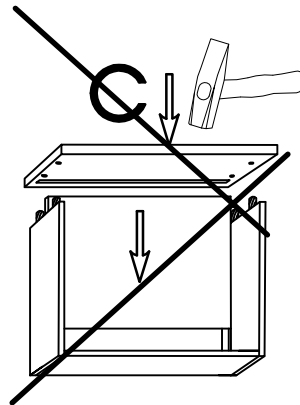
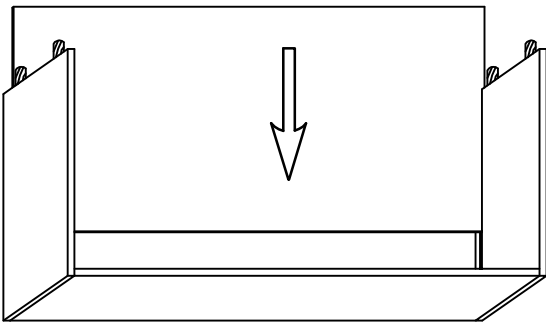
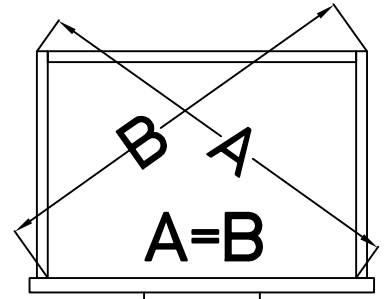
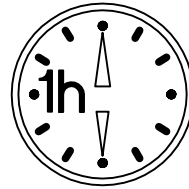
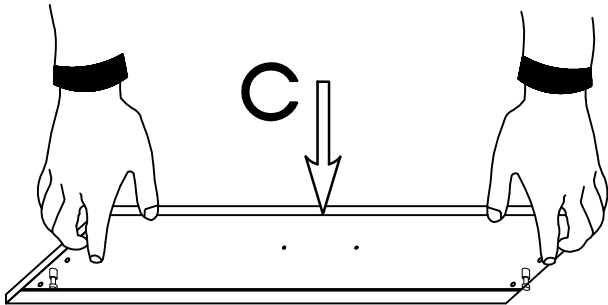
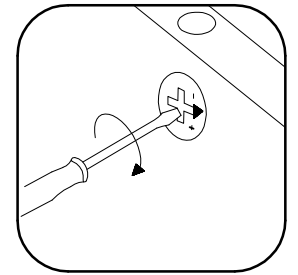
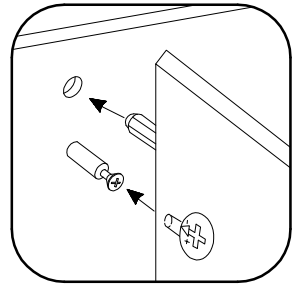
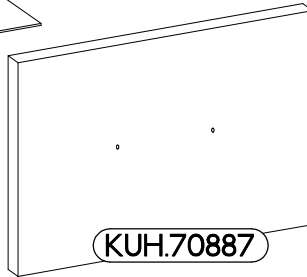
x2



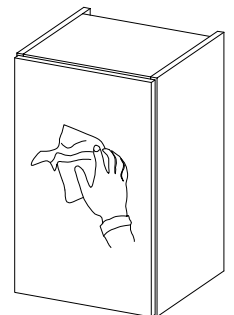
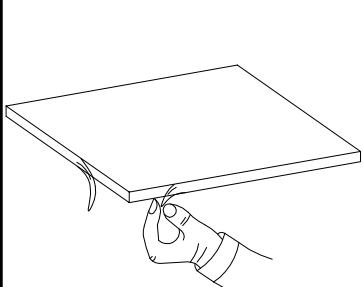
8

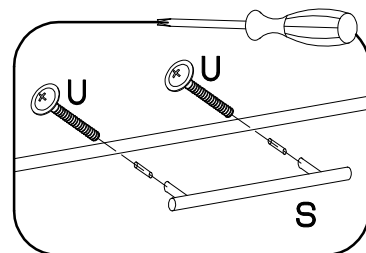
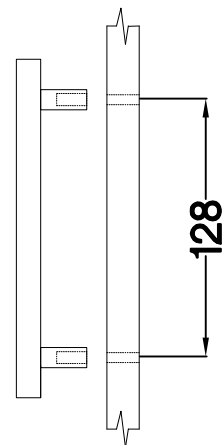
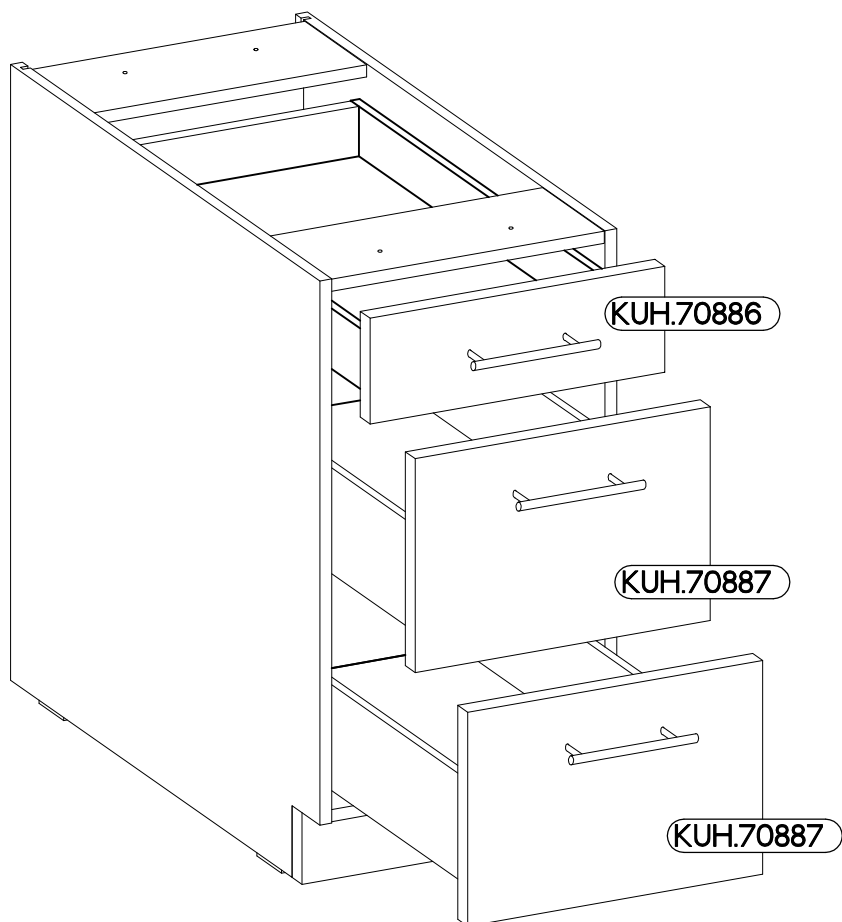


x2

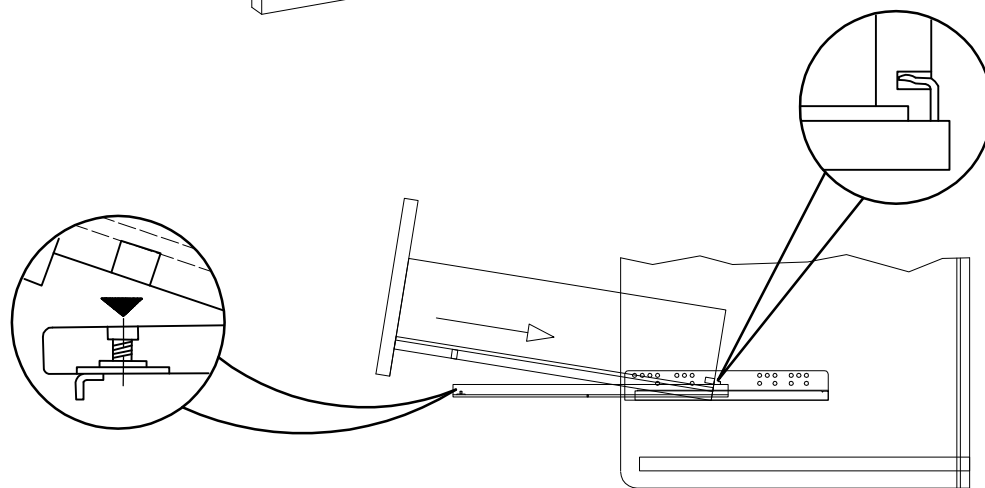


VARIANT HIGH GLOSS

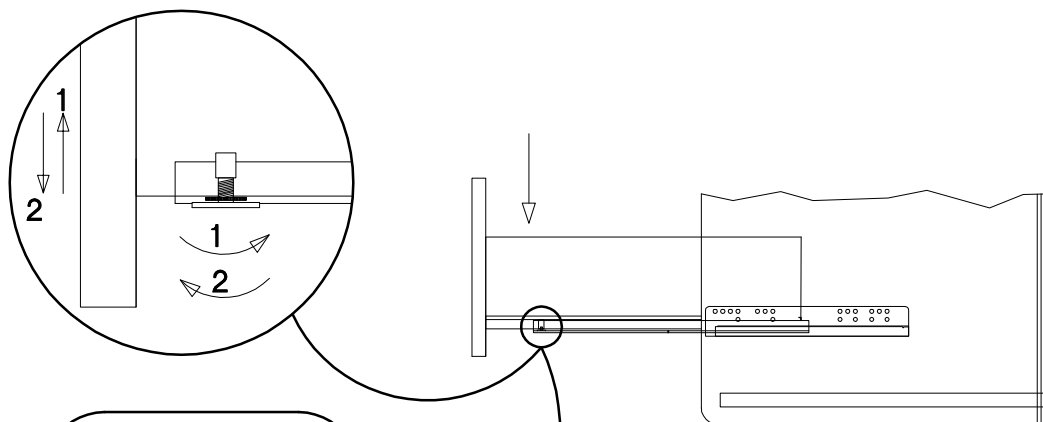




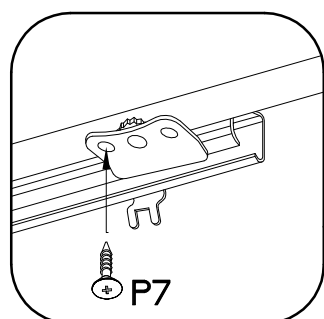
1.


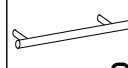



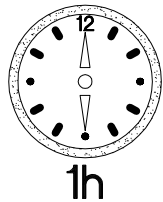
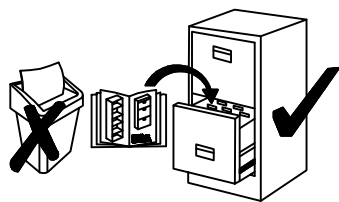
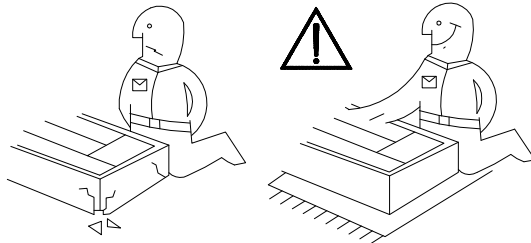
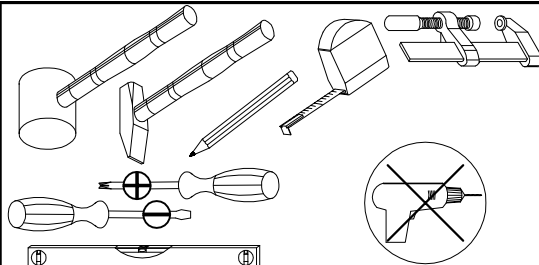
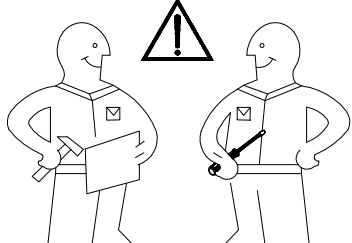
2.



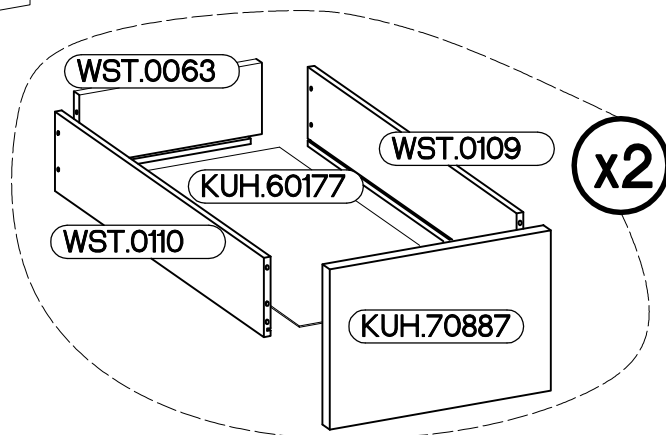
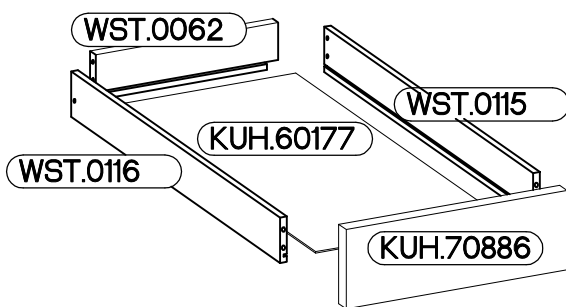
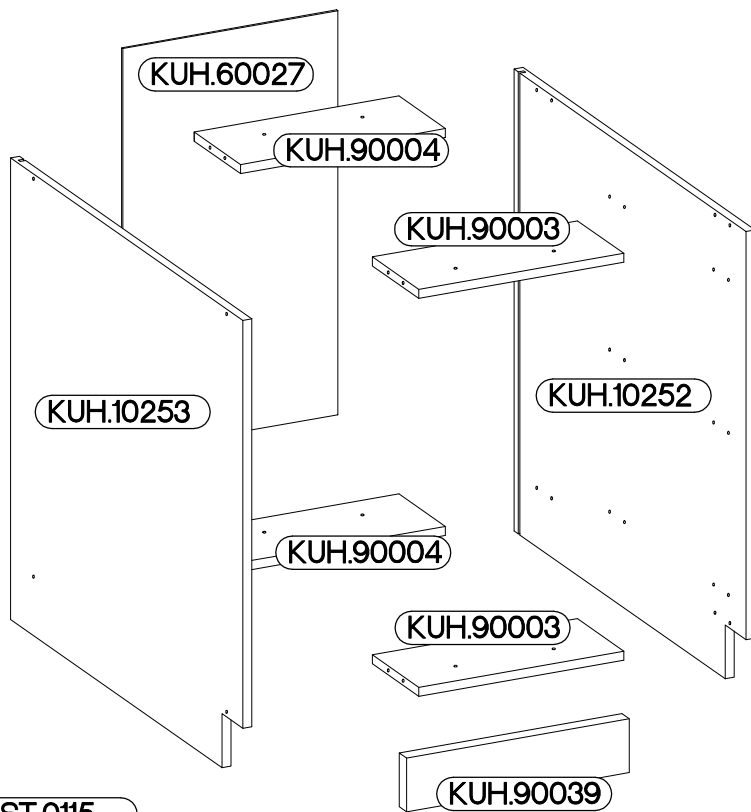
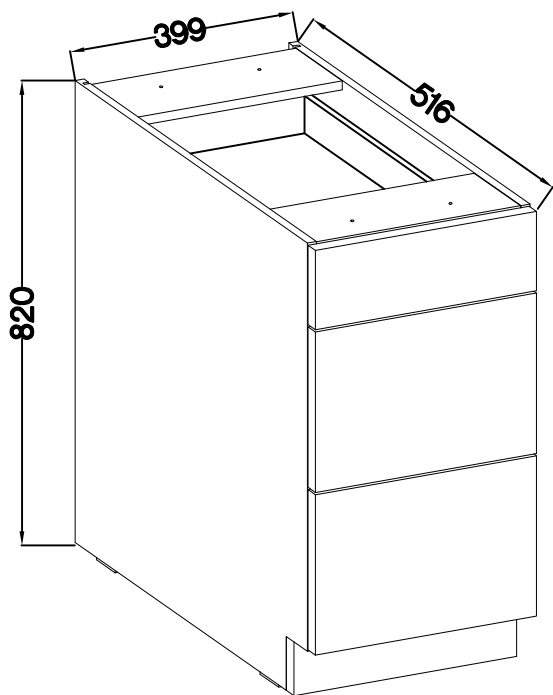
3.



M4x22mm	L=128mm	+3.0x20mm
		
6	3	6



40 D 3S BB -
QUADRO

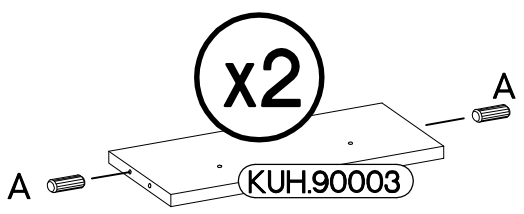
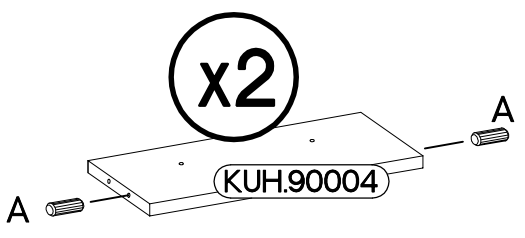
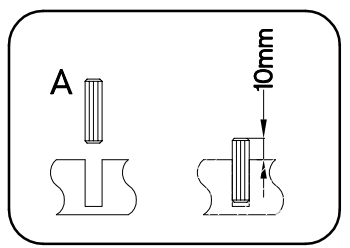
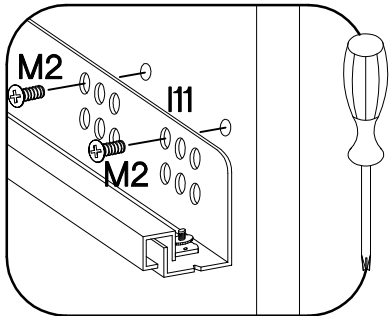
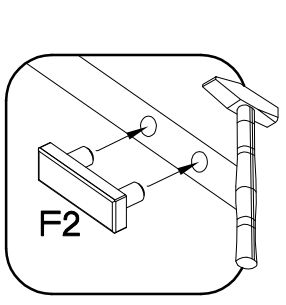
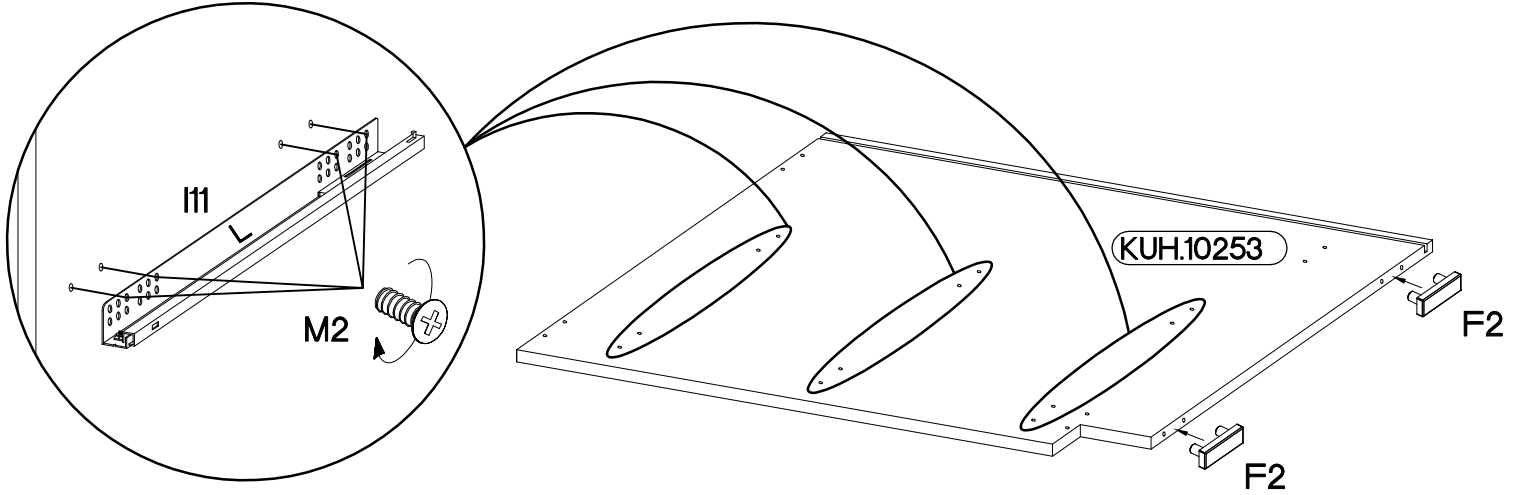
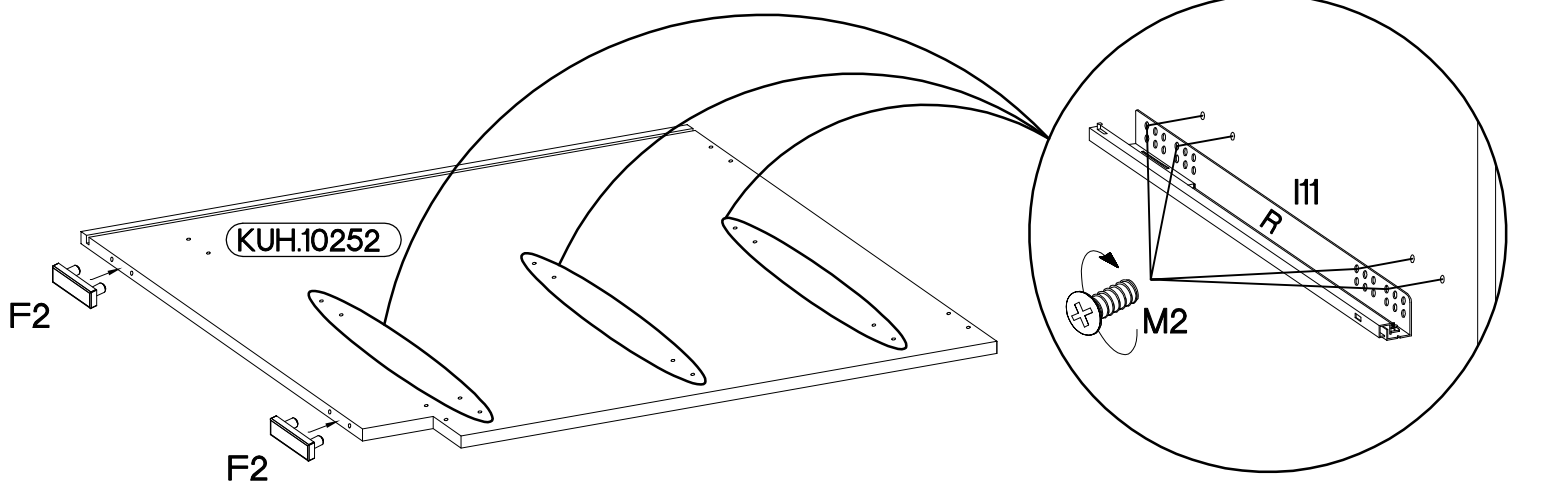
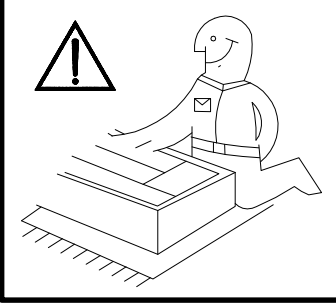


+8x30mm A 20	6,4 x 50mm B 8	+6x42mm B2 10				
+12/10mm C5 6	L=20mm D2 6	E1 8	E9 2	[CD] L=450mm I11 3		
6.5x48x16 F2 4	+6.3x13mm M2 24	O 1	O1 1	+4.0x45mm P4 2	+3.0x20mm P7 16	
				+4.0x35mm R3 4		

ISM-KUH-01613

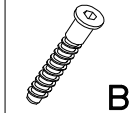
1

6.5x48x16 F2 4	±8x30mm A 8	L L=450mm 3	[CD] I11 R 111	+6.3x13mm M2 24
----------------------	-------------------	-------------------	----------------------	-----------------------



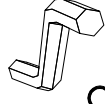
2

6,4 x 50mm



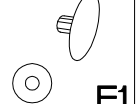
B

4



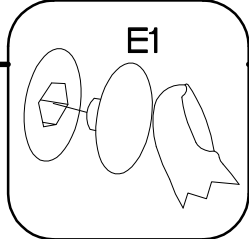
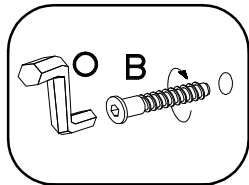
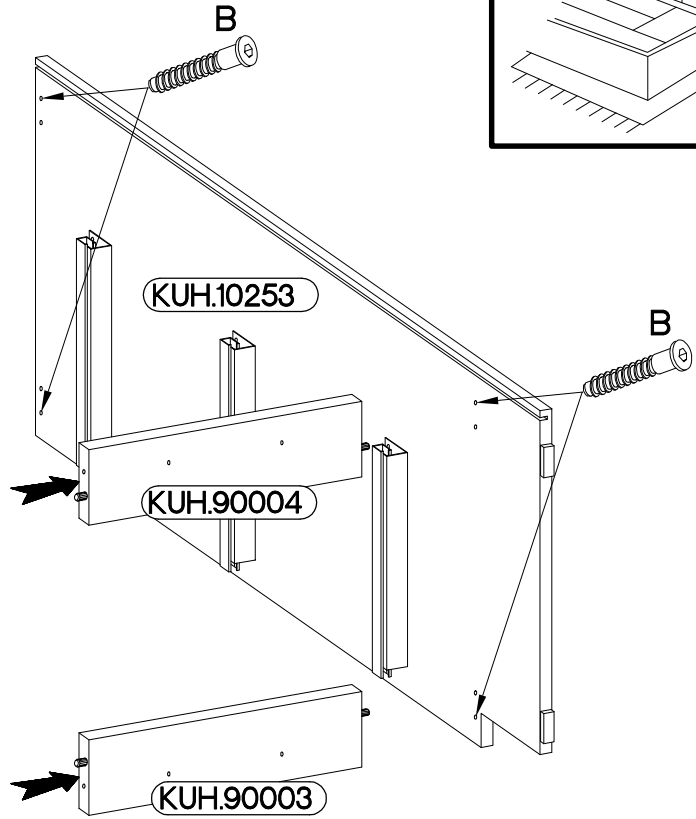
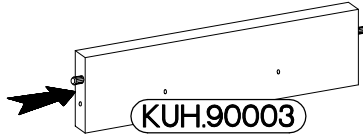
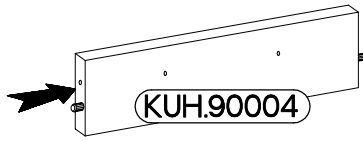
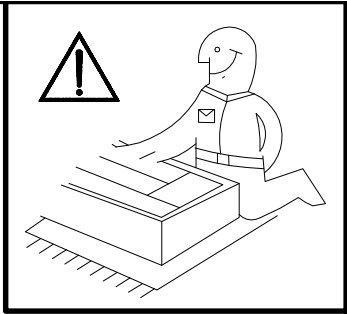
O

1

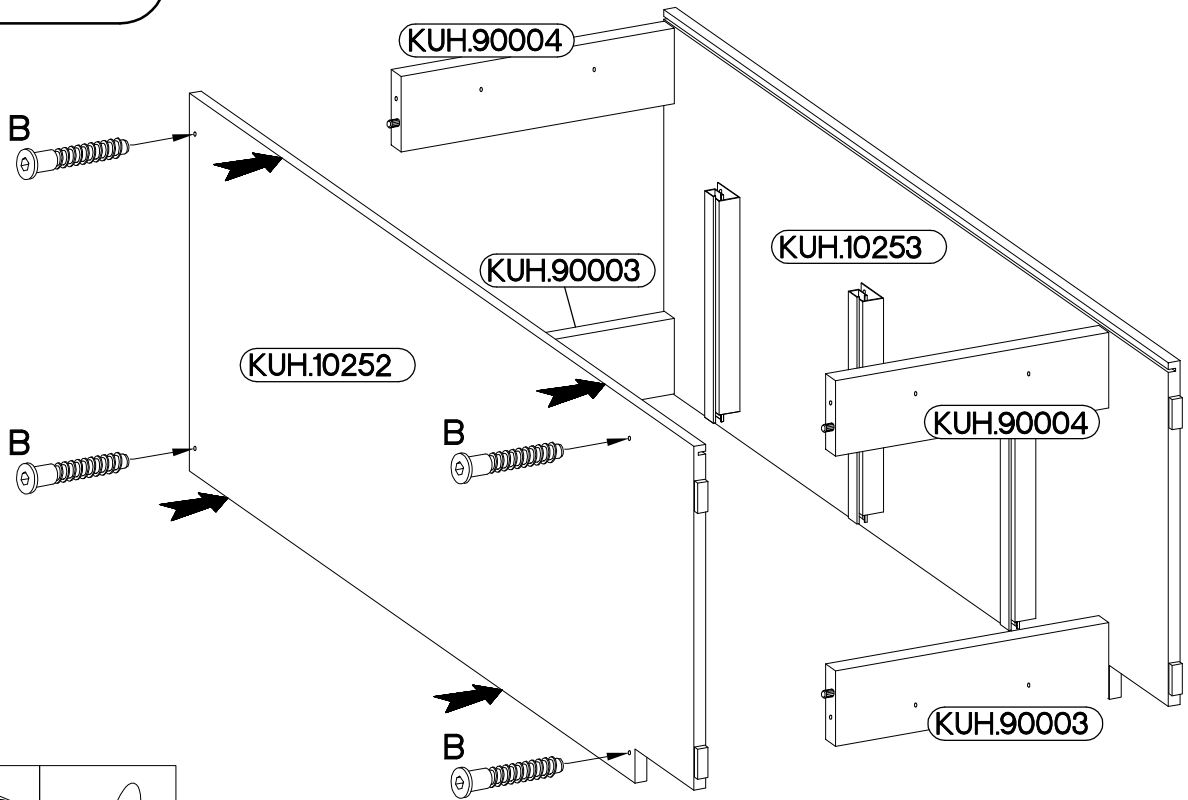


E1

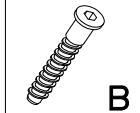
4



3

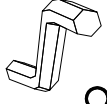


6,4 x 50mm



B

4



O

1

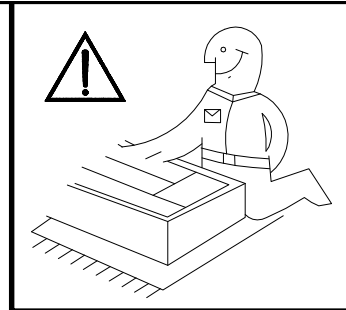
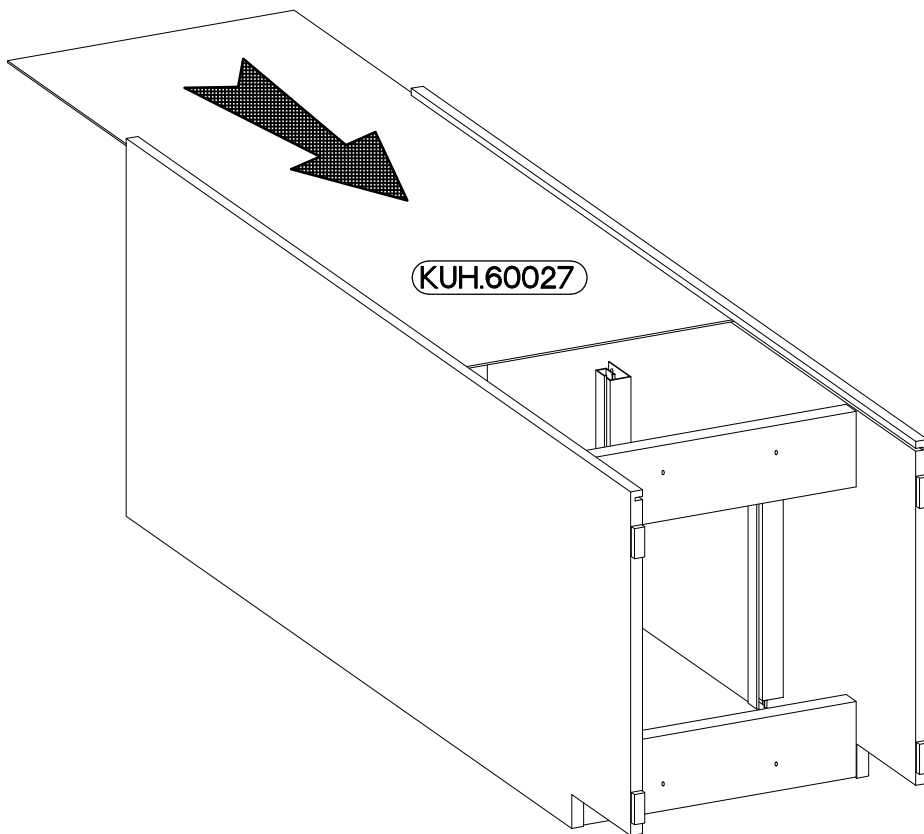


E1

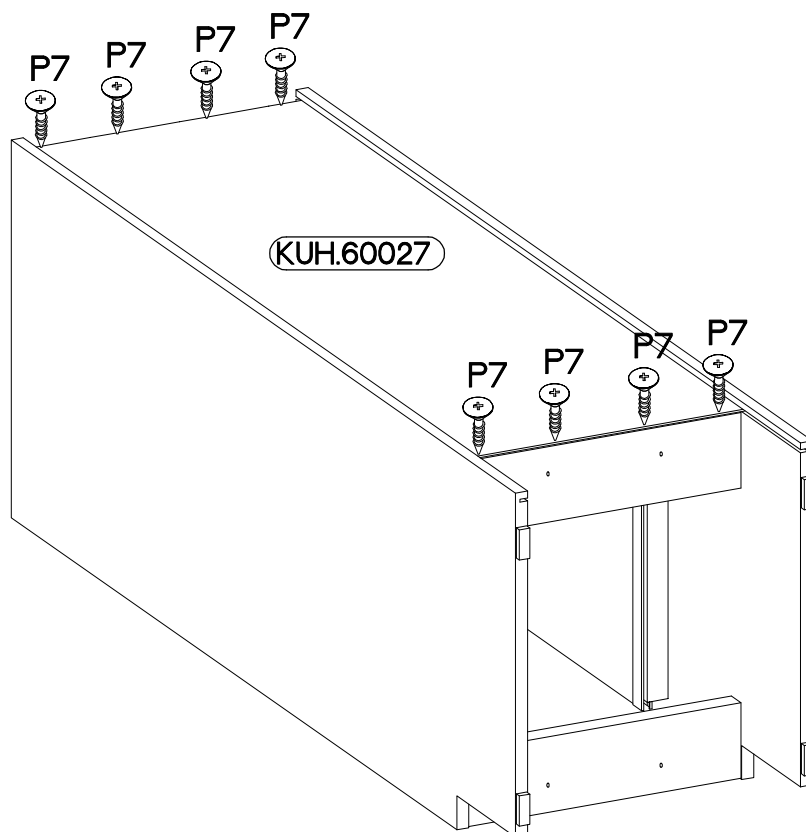
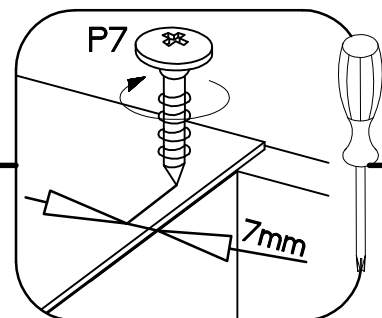
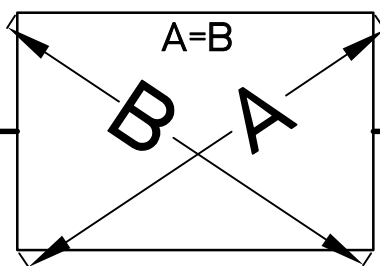
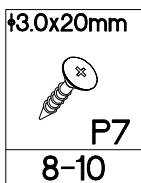
4

4 1 4

4

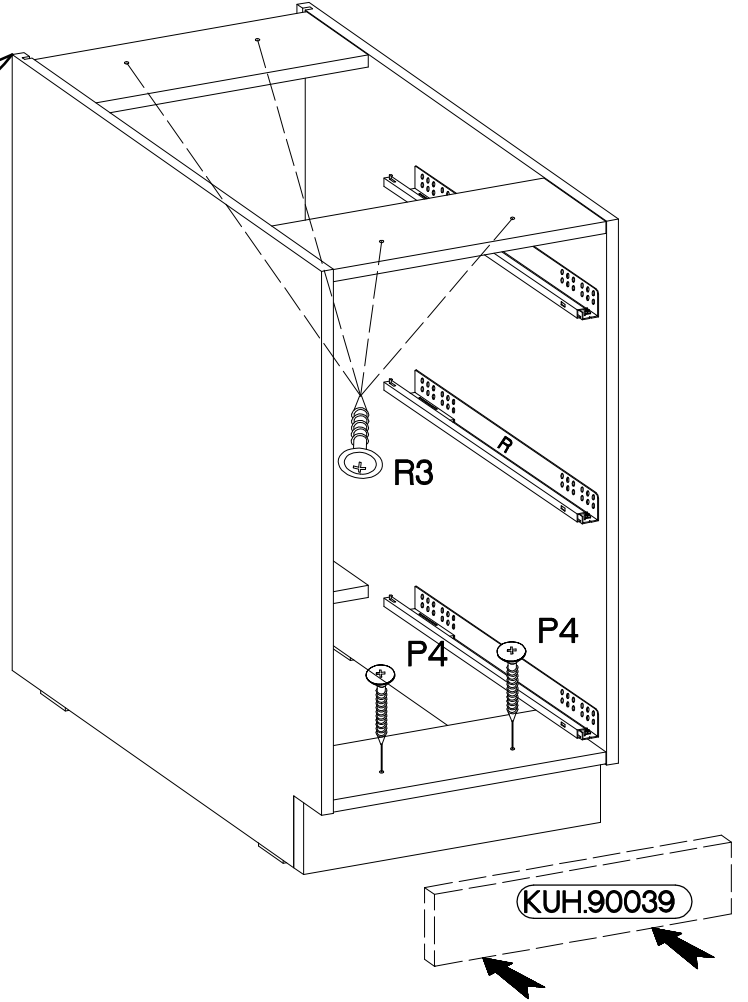
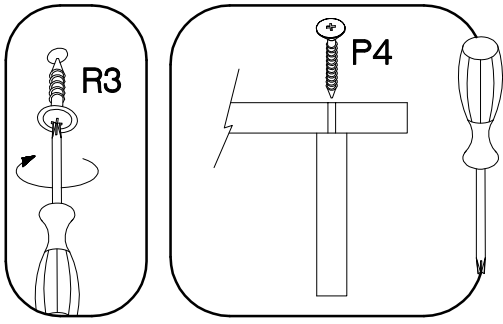
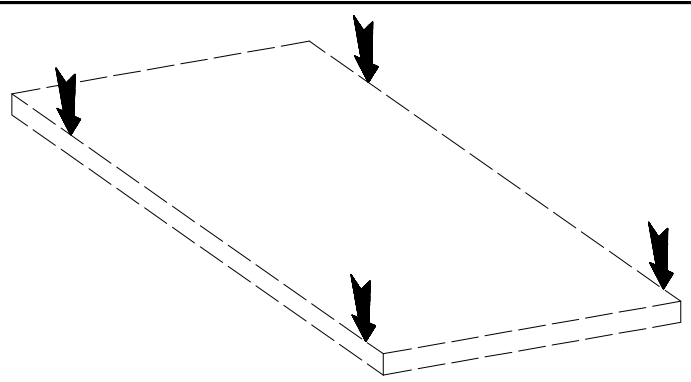
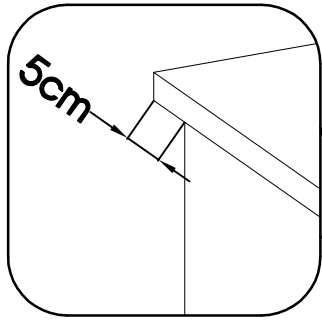


5



6

4.0x45mm P4 2	E9 2	4.0x35mm R3 4
---------------------	---------	---------------------



7

