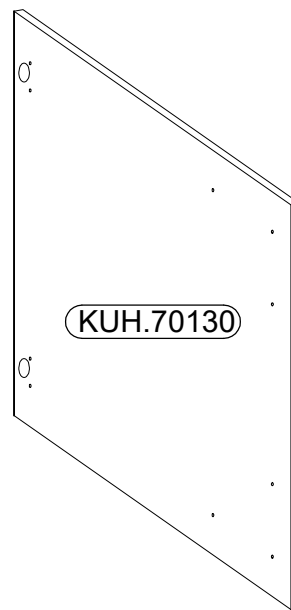
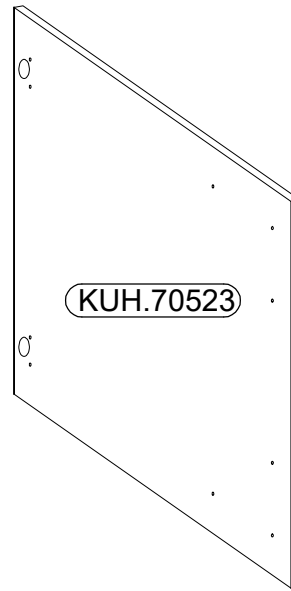
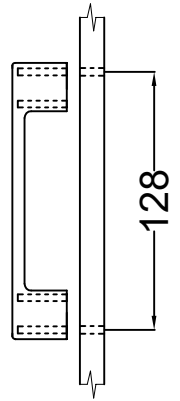
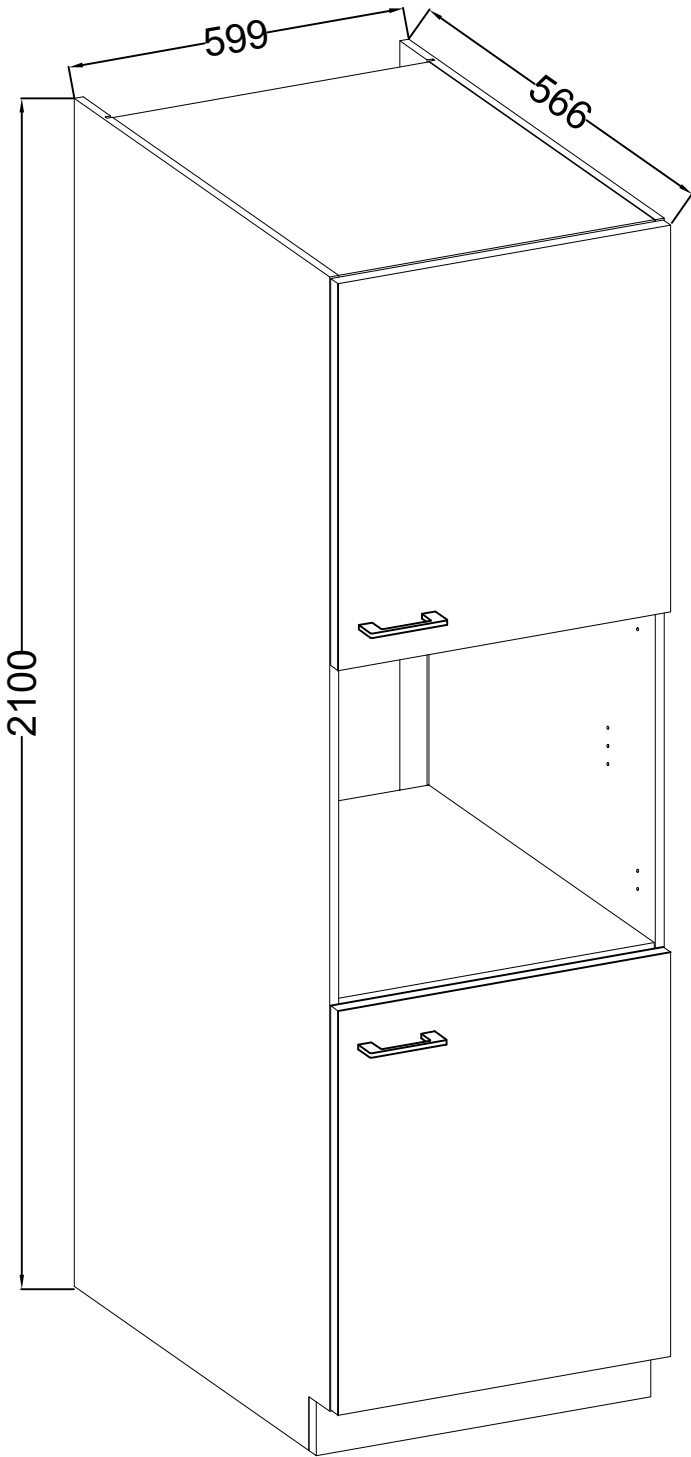
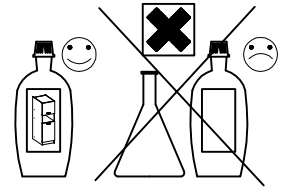


60 DP-2100 2F

FRONT



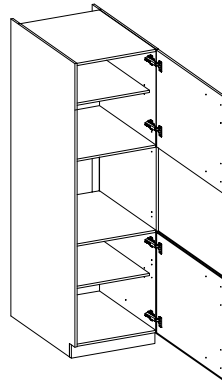
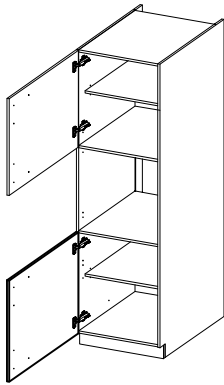
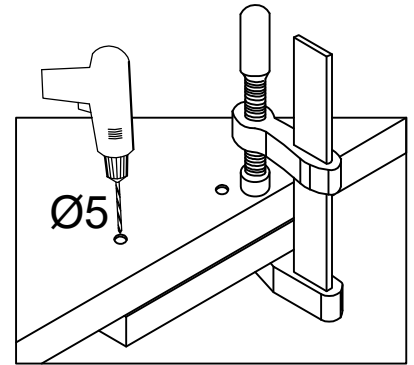
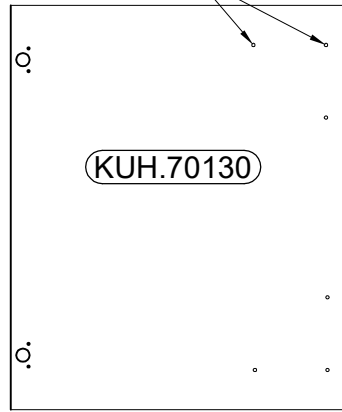
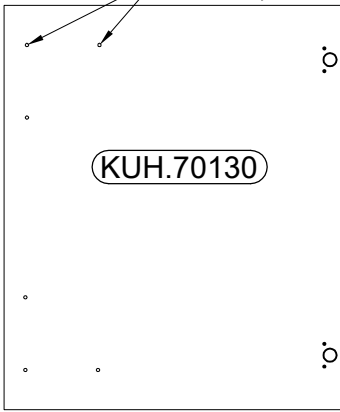
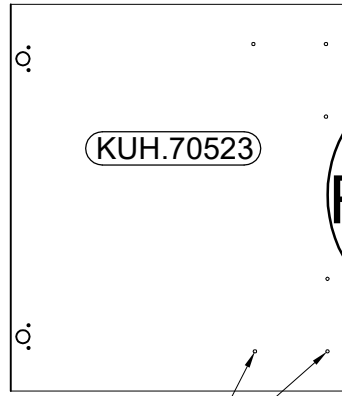
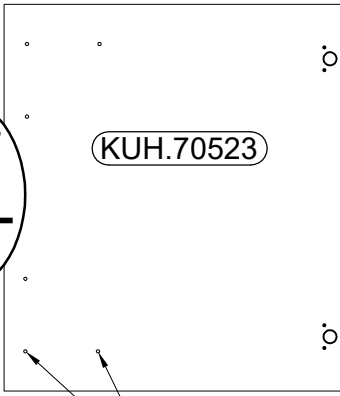
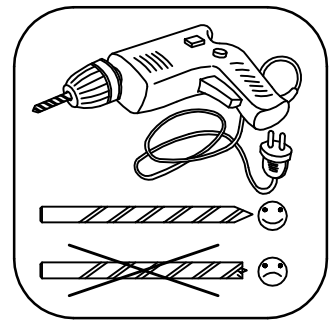
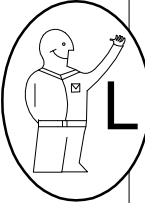
Ø4.0x30mm	
R2	S
4	2

ISM-KUH-01599

1

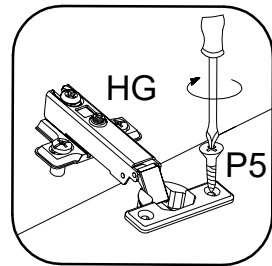
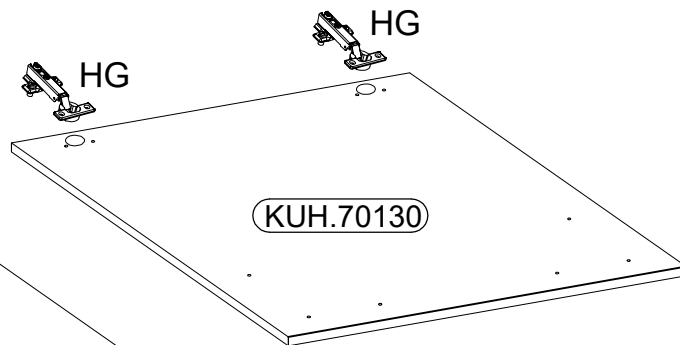
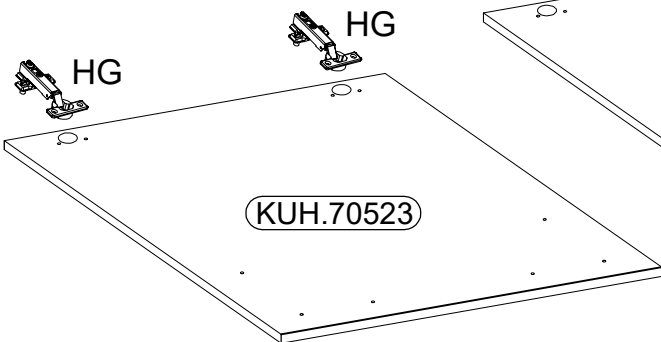
LEFT

RIGHT





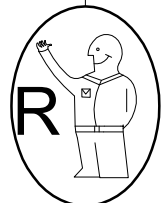
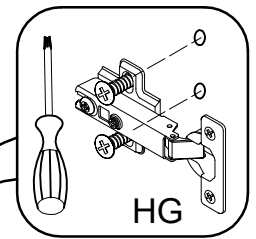
2

$\varnothing 35/0\text{mm}$	$\varnothing 3.5 \times 13\text{mm}$
4	8



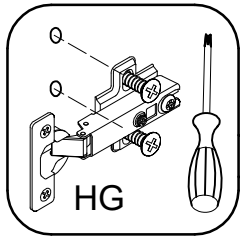
3

Ø4.0x30mm	
	
R2	S
2	1



KUH.70523

KUH.70130



KUH.70523

KUH.70130

