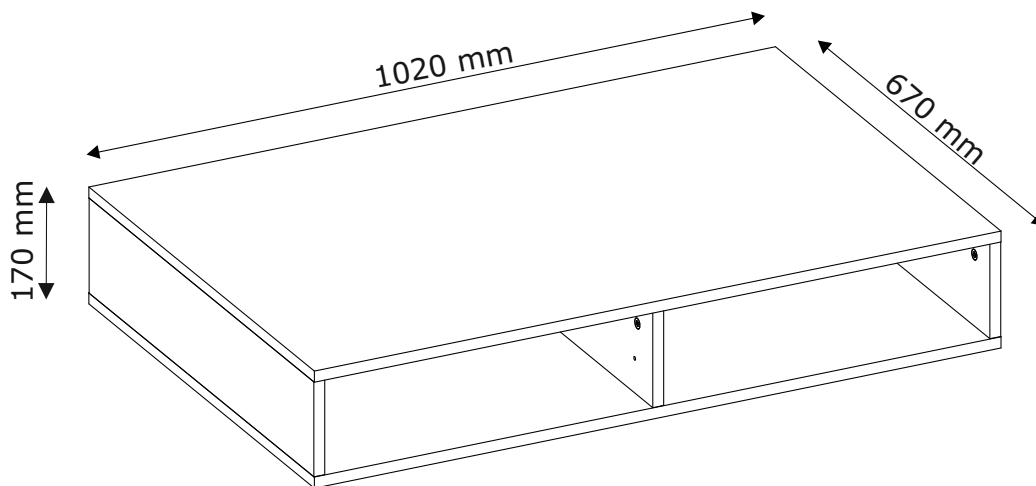
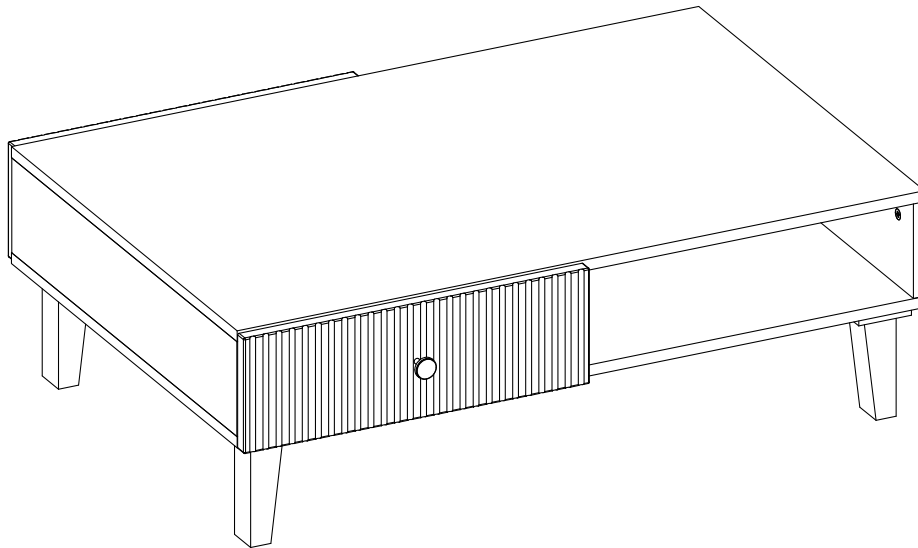
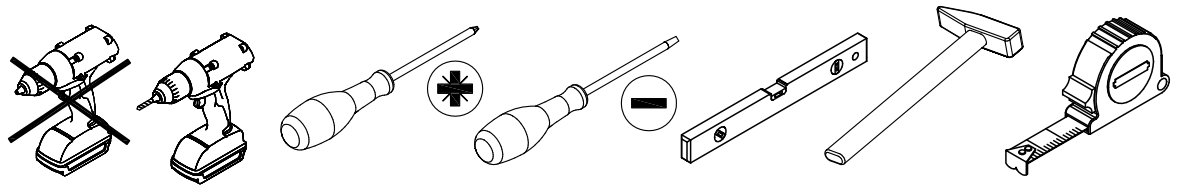
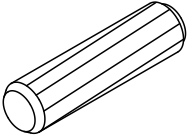
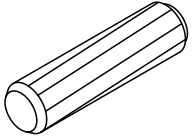
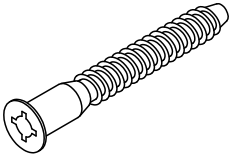




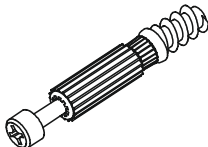
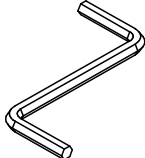

# Berlin

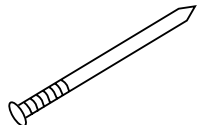
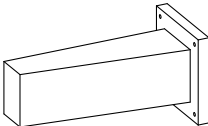

## Coffee table 2S

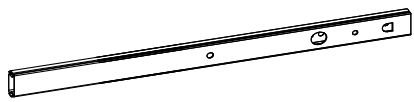
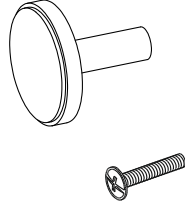



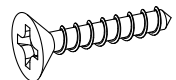


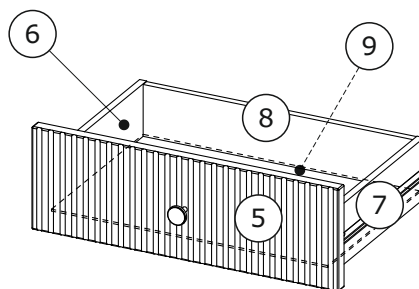
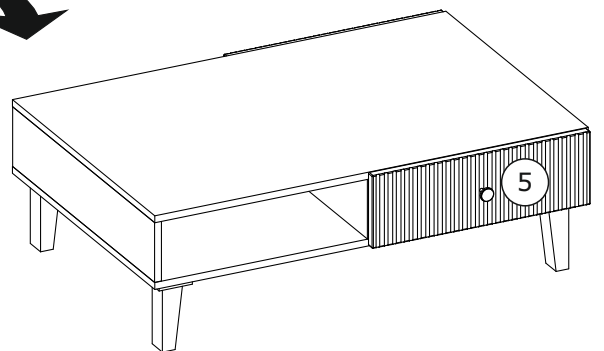
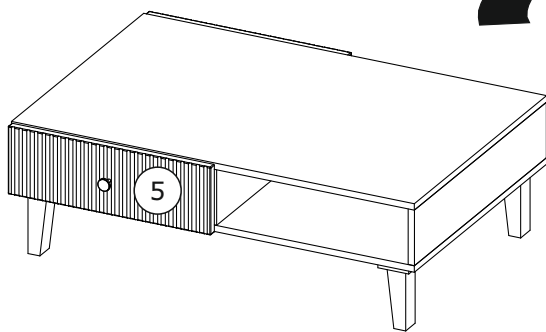
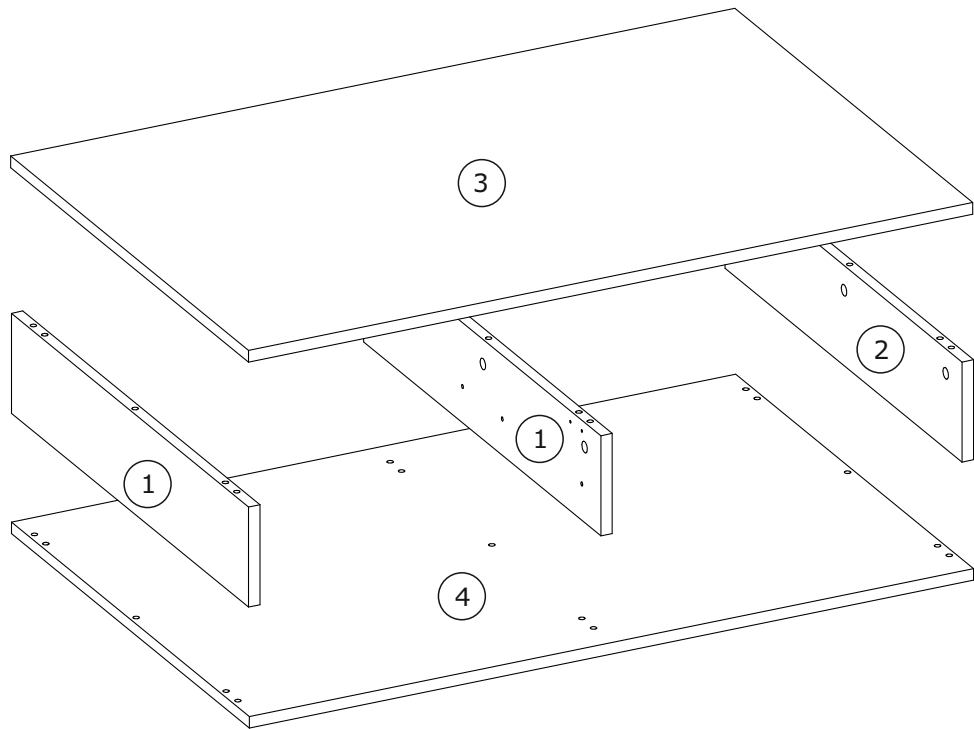
<p>A x 12</p>  <p>Ø8x35 mm</p>	<p>A1 x 4</p>  <p>Ø6x30 mm</p>	<p>B x 13</p>  <p>Ø7x50 mm</p>	<p>C x 9</p>  <p>Ø15x12 mm</p>
-----------------------------------------------------------------------------------------------------------------	-----------------------------------------------------------------------------------------------------------------	------------------------------------------------------------------------------------------------------------------	-------------------------------------------------------------------------------------------------------------------

<p>C1 x 4</p>  <p>Ø12x10 mm</p>	<p>D x 13</p>  <p>Ø5x44 mm</p>	<p>E x 1</p>  <p>4 mm</p>	<p>F x 13</p>  <p>20 mm</p>
------------------------------------------------------------------------------------------------------------------	------------------------------------------------------------------------------------------------------------------	--------------------------------------------------------------------------------------------------------------	----------------------------------------------------------------------------------------------------------------

<p>G x 8</p>  <p>1,2x25 mm</p>	<p>H x 4</p> 	<p>M x 8</p>  <p>Ø6,3x13 mm</p>
-------------------------------------------------------------------------------------------------------------------	--------------------------------------------------------------------------------------------------	--------------------------------------------------------------------------------------------------------------------

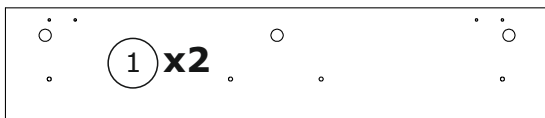
<p>N1 x 4</p>  <p>278 mm</p>	<p>P x 2</p> 
-----------------------------------------------------------------------------------------------------------------	---------------------------------------------------------------------------------------------------

<p>Q x 4</p>  <p>4x9 mm</p>	<p>T x 16</p>  <p>4x20 mm</p>
----------------------------------------------------------------------------------------------------------------	------------------------------------------------------------------------------------------------------------------

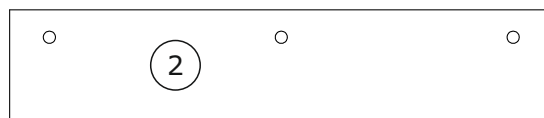


**x2**

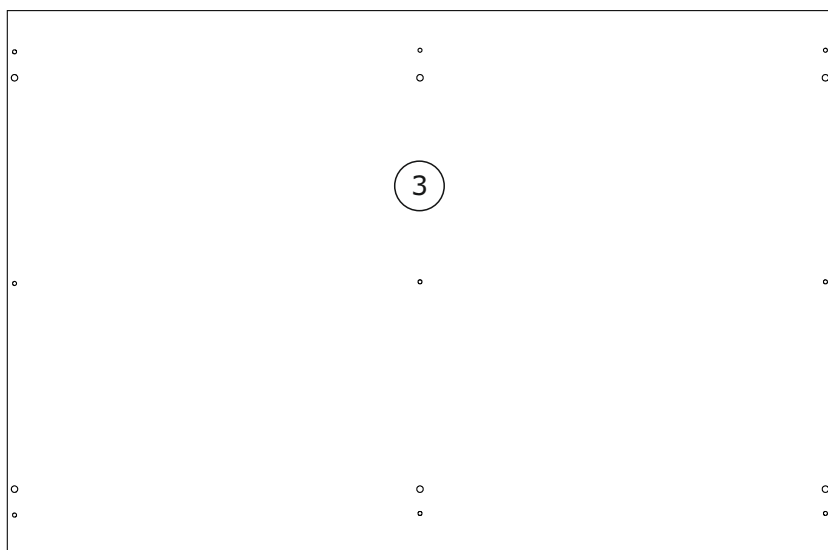
# BOX 1/1:



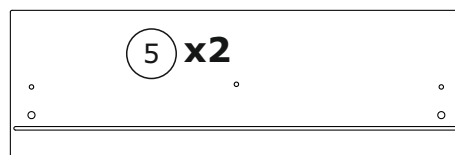
138x668x16 mm



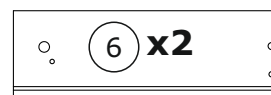
138x668x16 mm



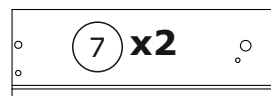
1020x670x16 mm



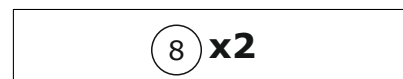
168x513x18 mm



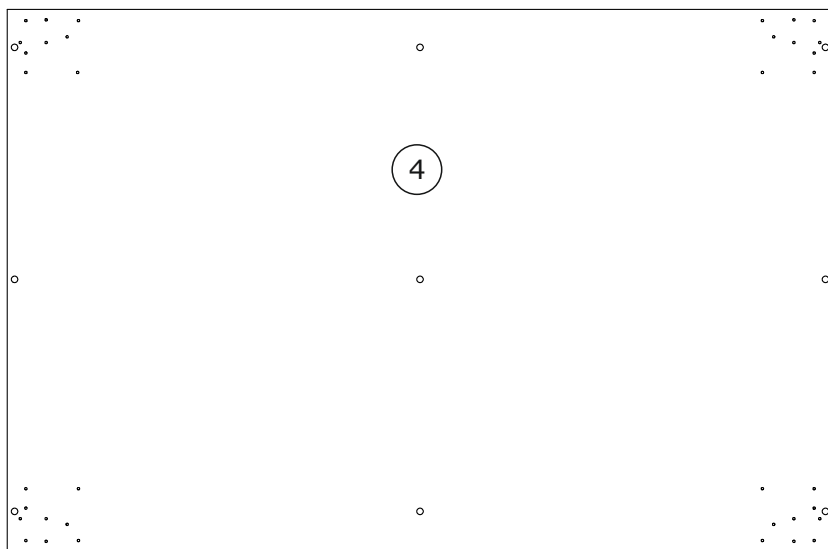
300x100x12 mm



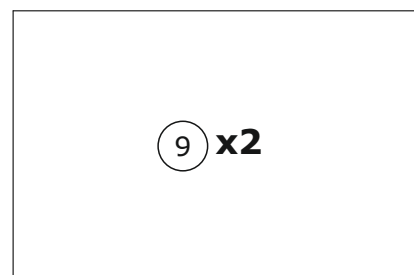
300x100x12 mm



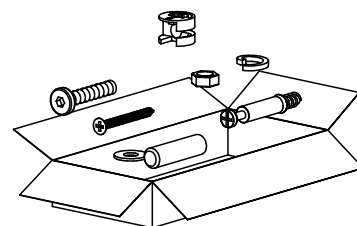
452x85x12 mm



1020x670x16 mm

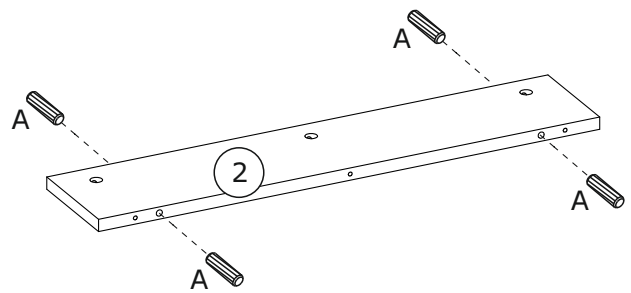
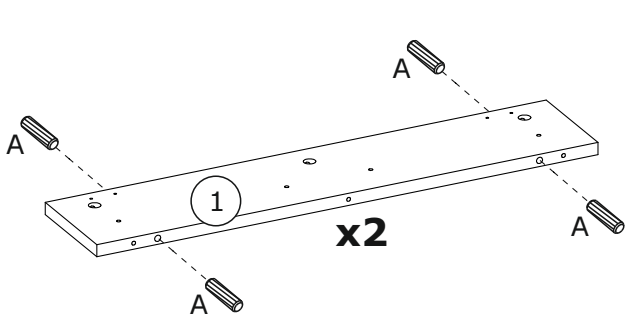
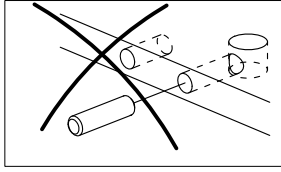
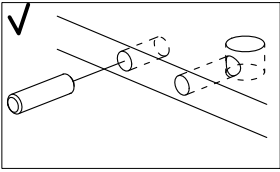
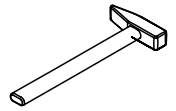


462x306x3 mm



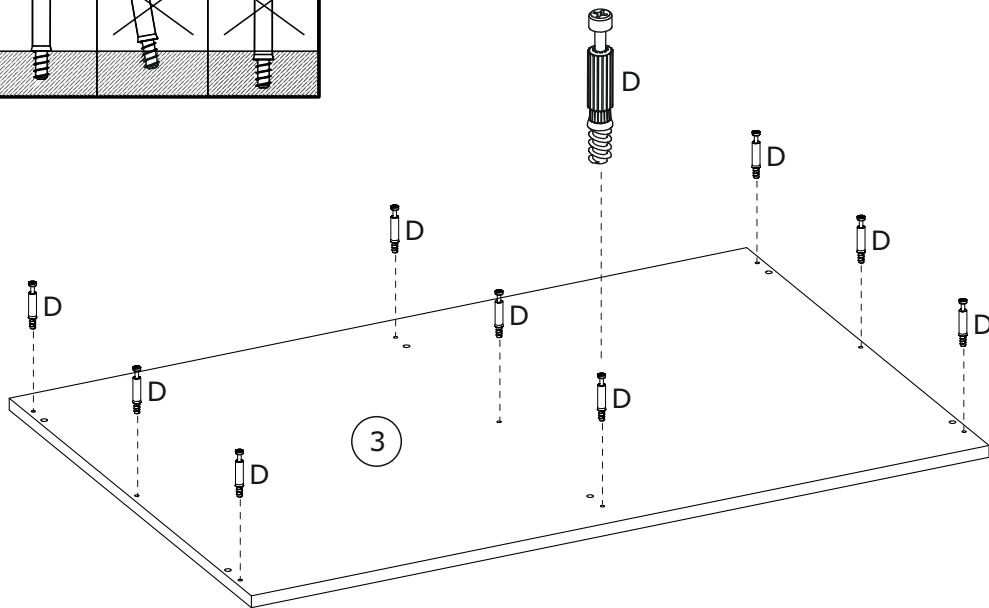
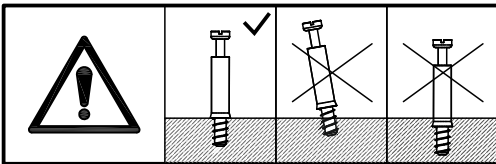
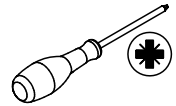
1

A x 12  
Ø8x35 mm





2

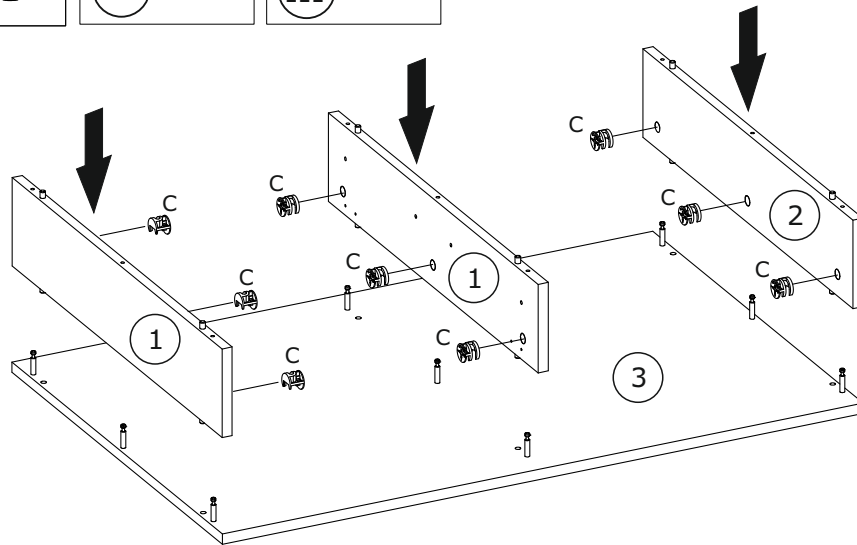
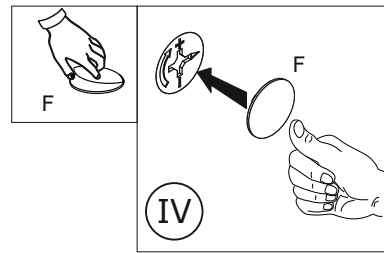
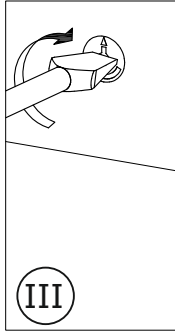
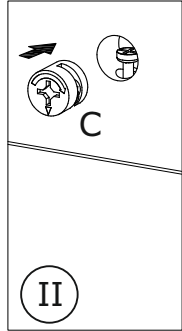
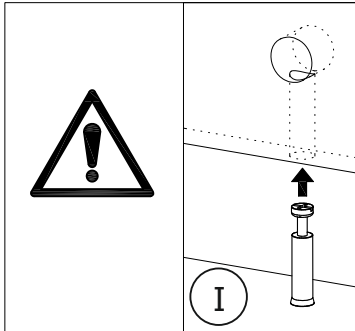
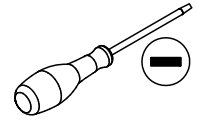
D x 9  
Ø5x44 mm



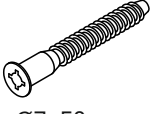
3

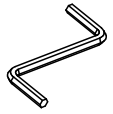
C x 9  
  
Ø15x12 mm

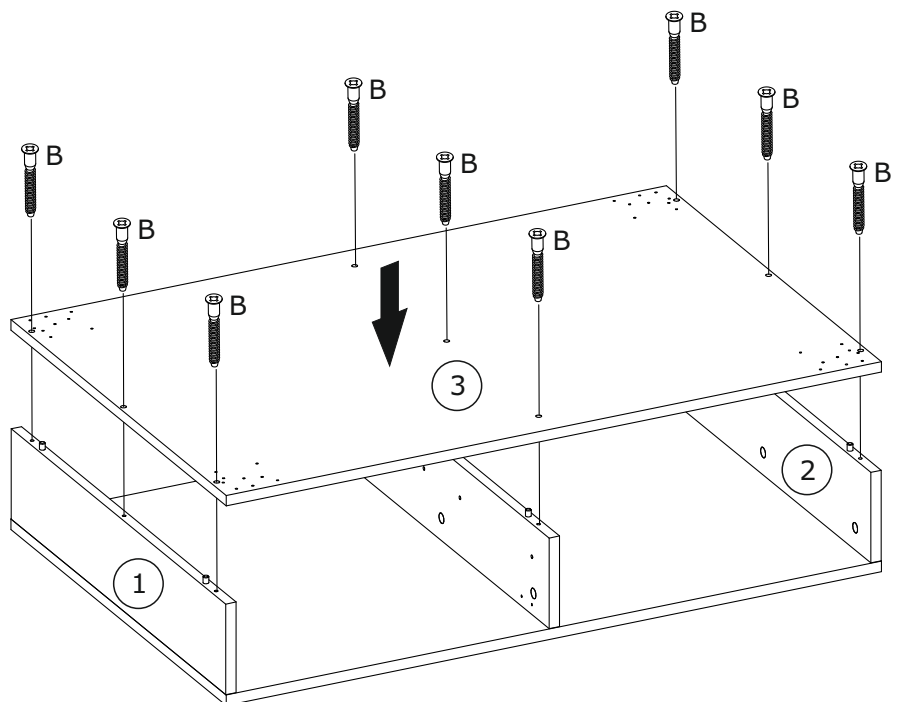
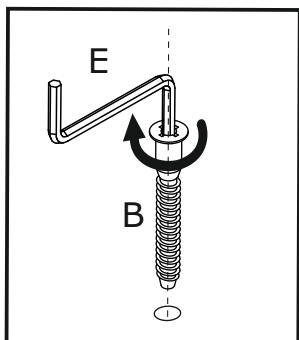
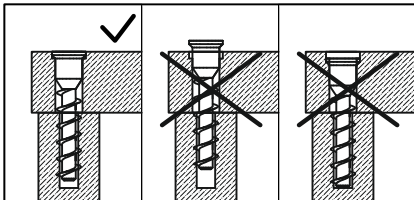
F x 9  
  
20 mm



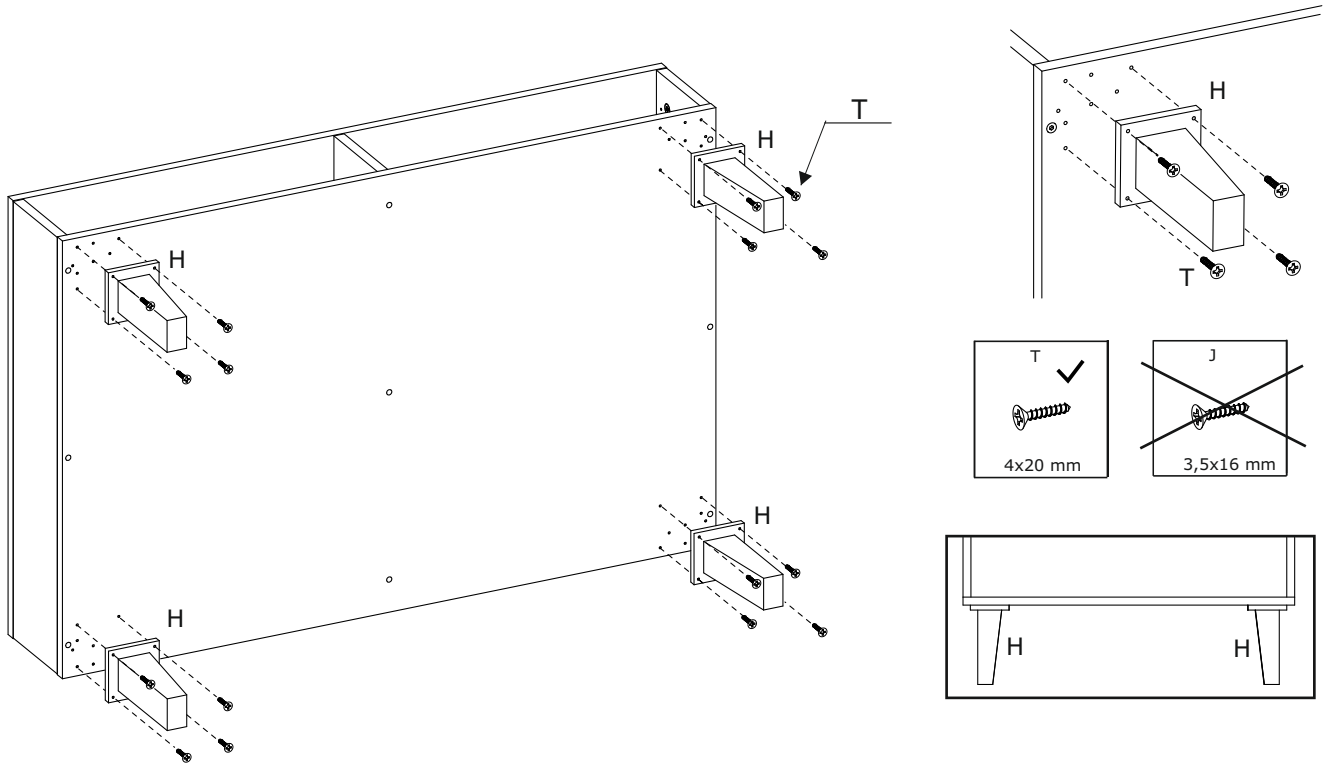
4

B x 9  
  
Ø7x50 mm

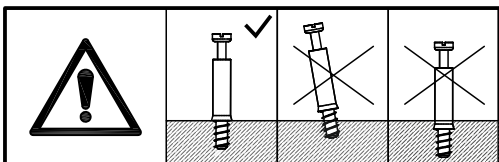
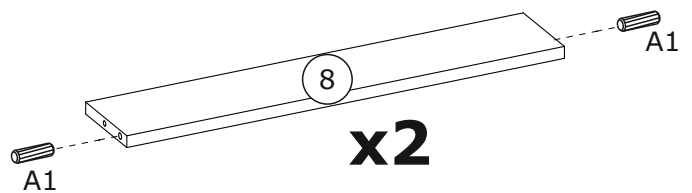
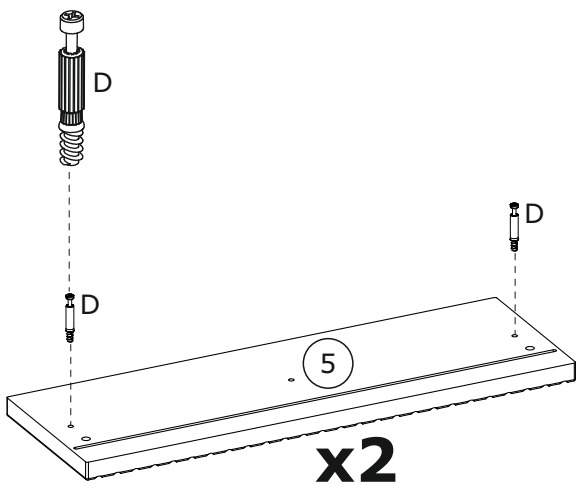
E x 1  
  
4 mm



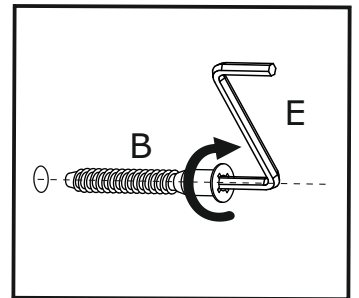
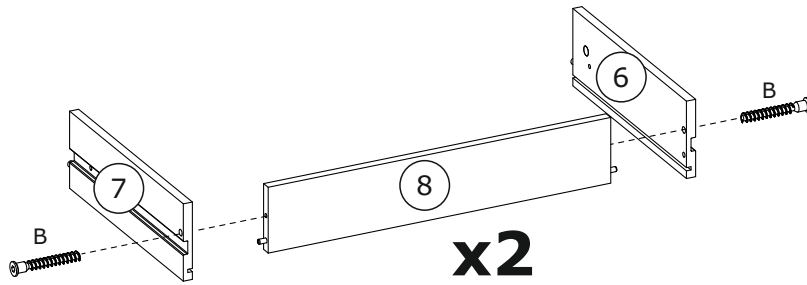
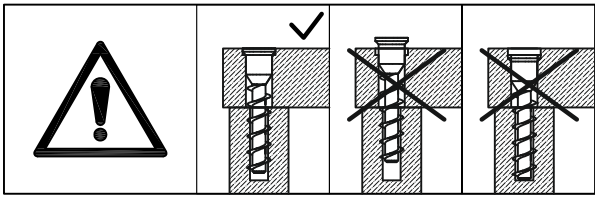
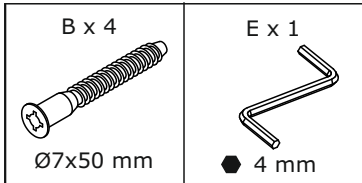
5



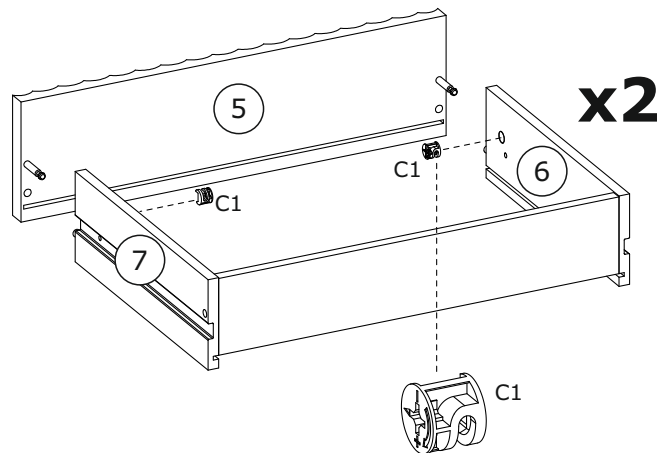
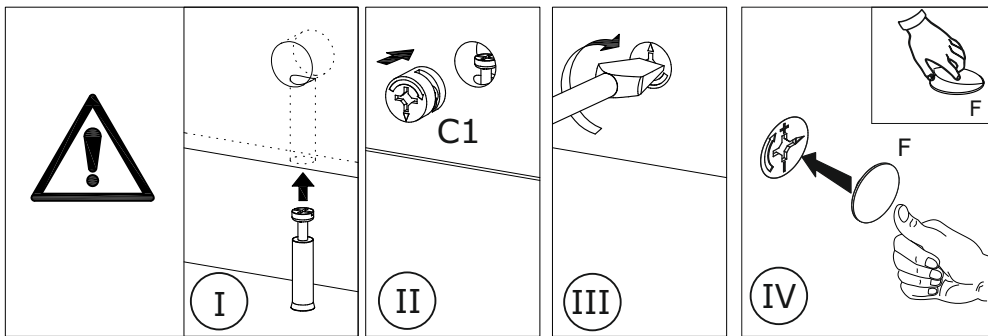
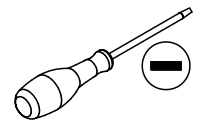
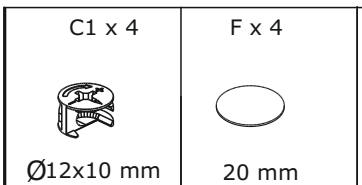
6



7

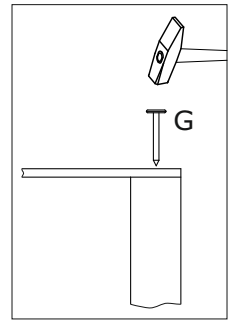
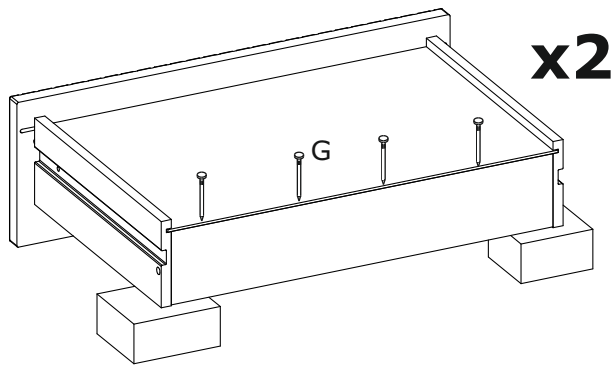
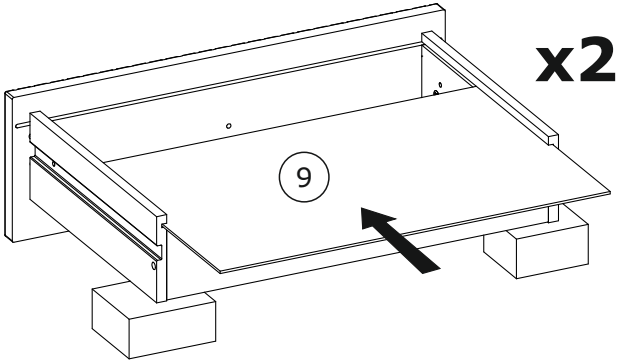
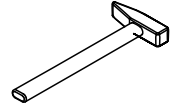
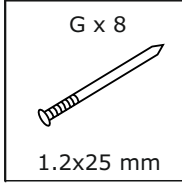


8

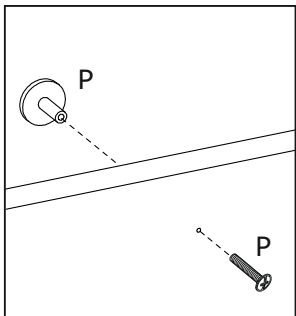
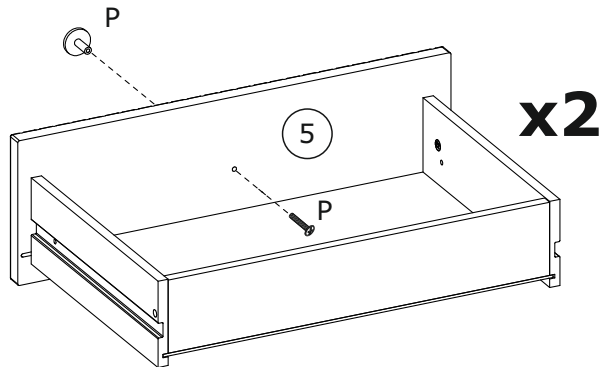
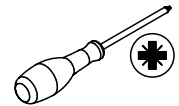
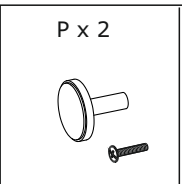




9

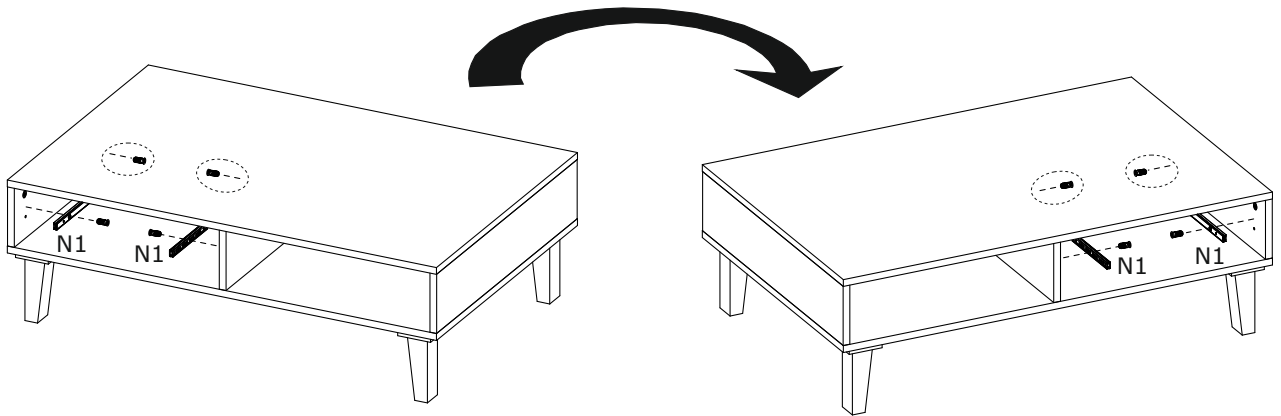
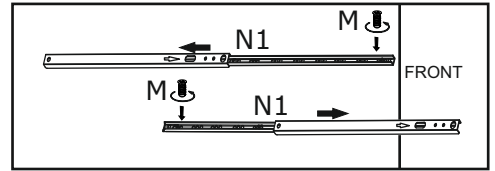
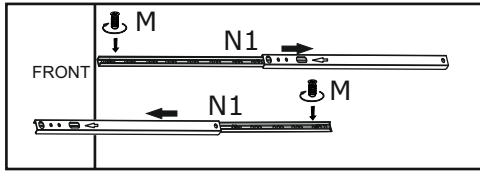
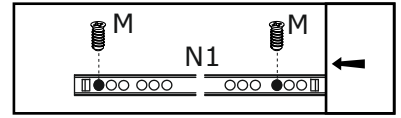
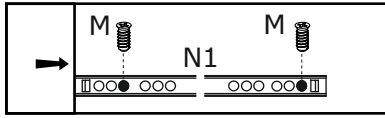


10



11

M x 8  Ø6,3x13 mm	N1 x 4  278 mm	
----------------------------------------------------------------------------------------------------------	-------------------------------------------------------------------------------------------------------	-------------------------------------------------------------------------------------



12

Q x 4  4x9 mm	
--------------------------------------------------------------------------------------------------------	---------------------------------------------------------------------------------------

