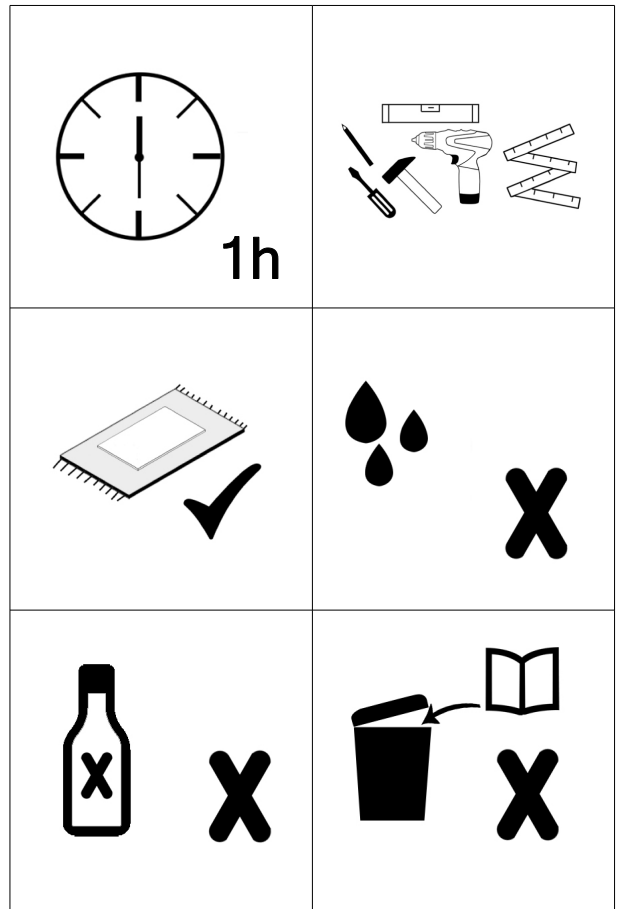
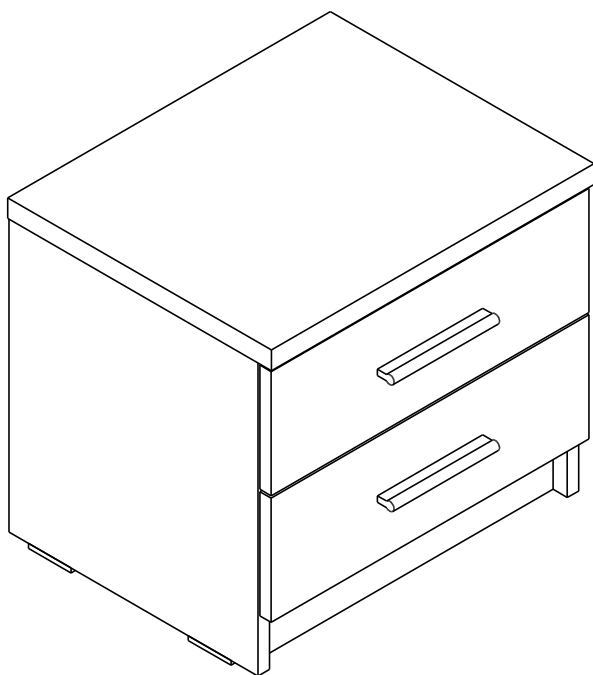
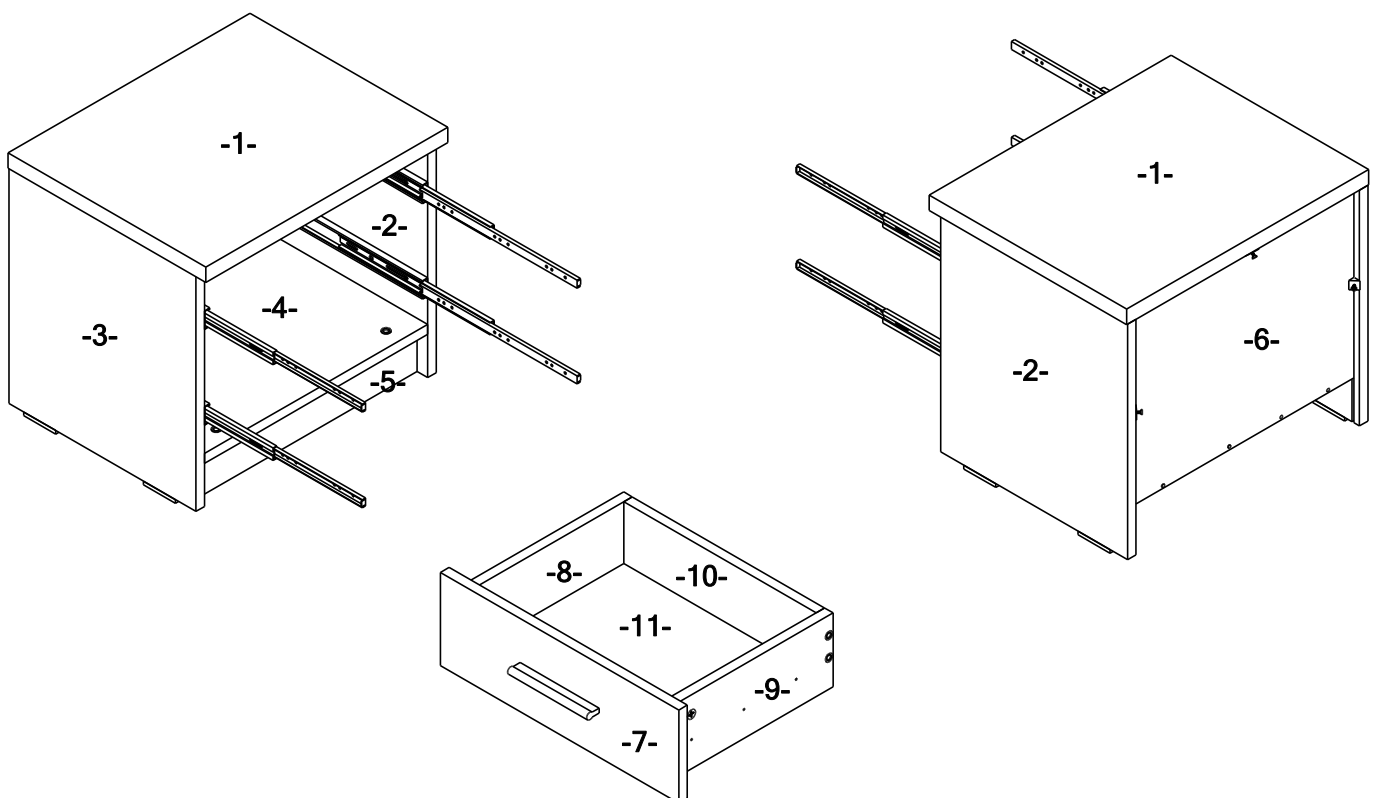


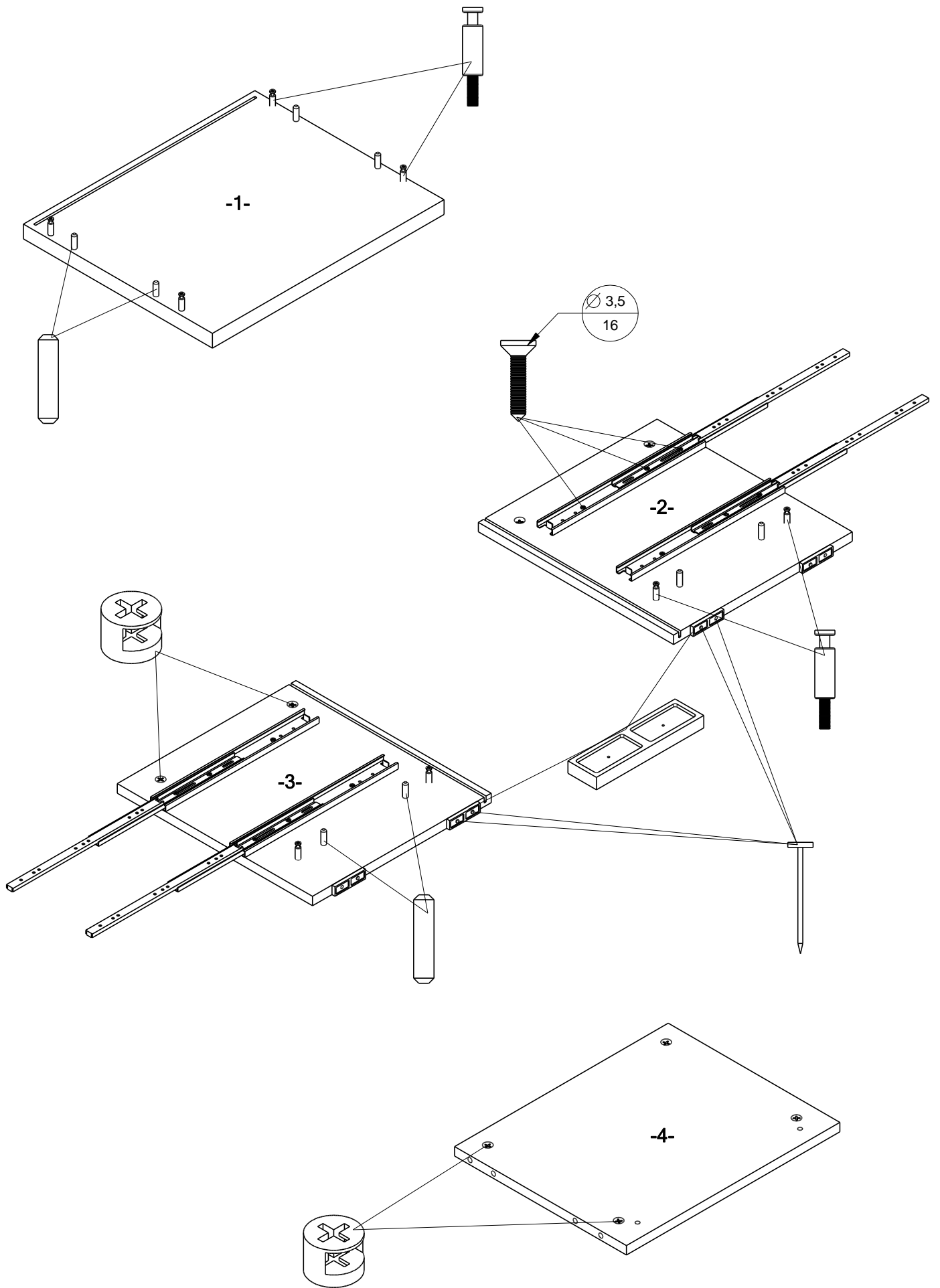
# SZAFKA NOCNA

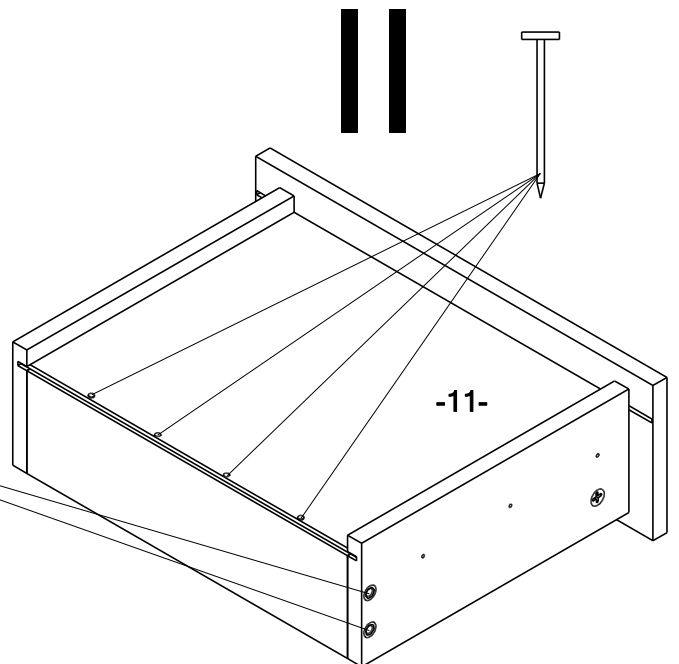
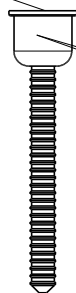
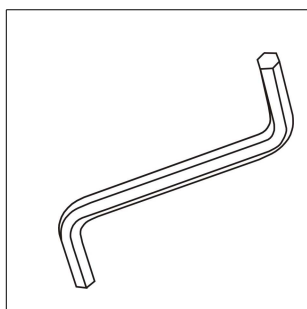
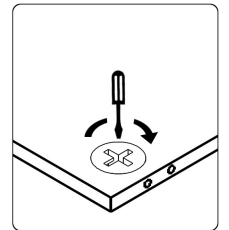
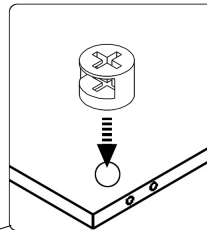
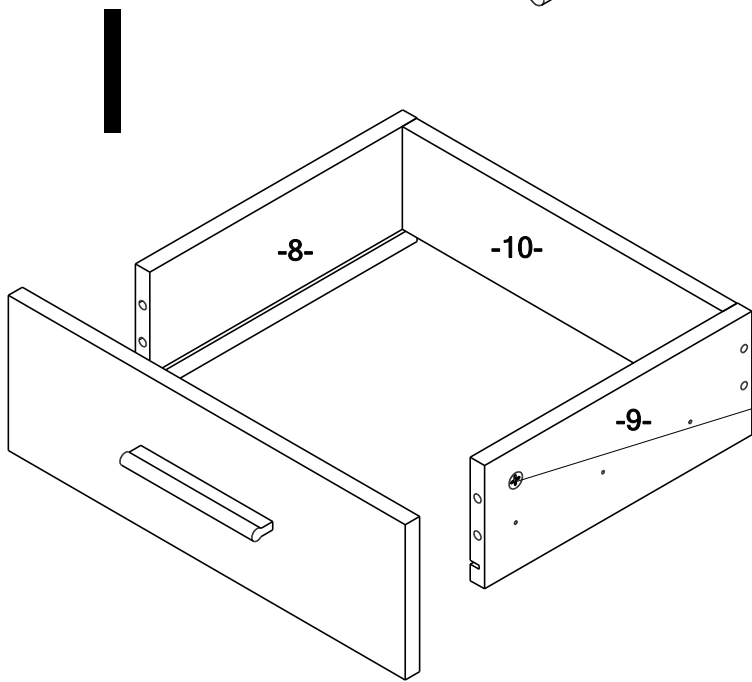
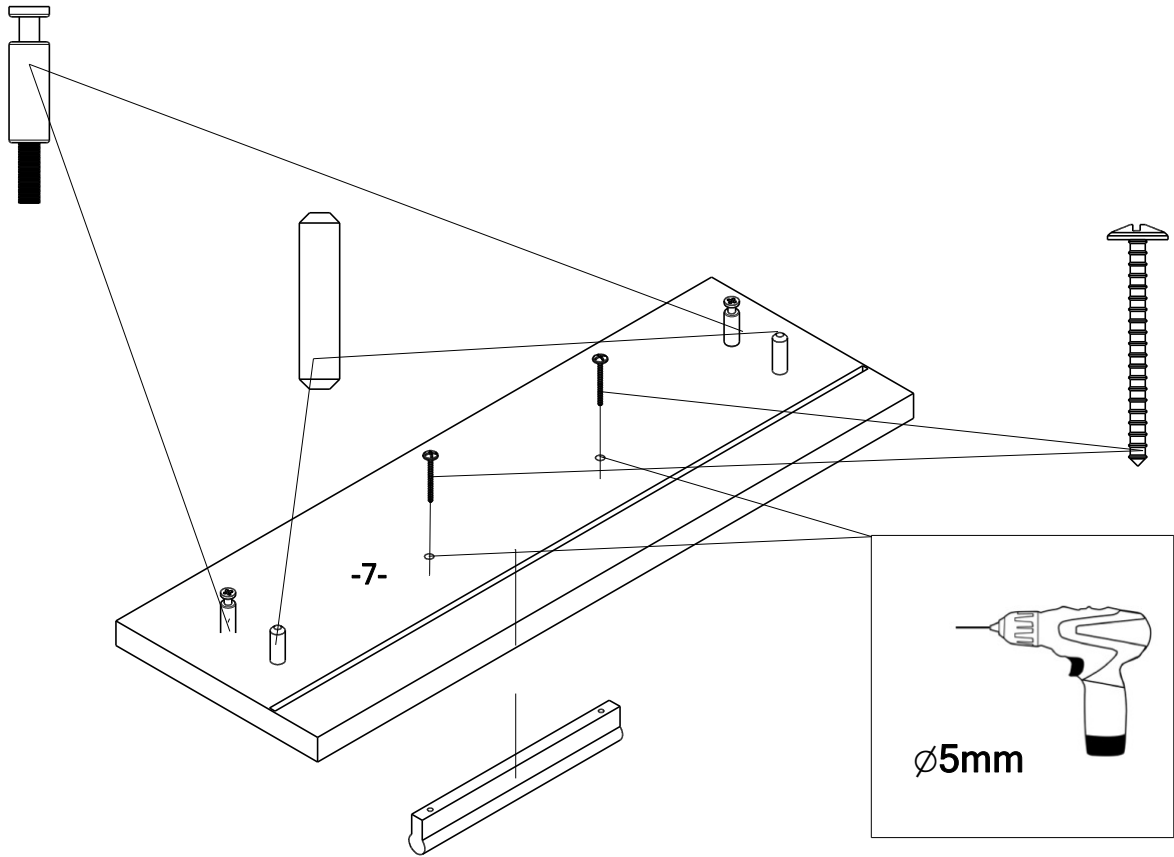


A  12	B  12	C  12	D  10
E  2	F  4	G  4	H  20
J  20	K  4	L  1	M  3

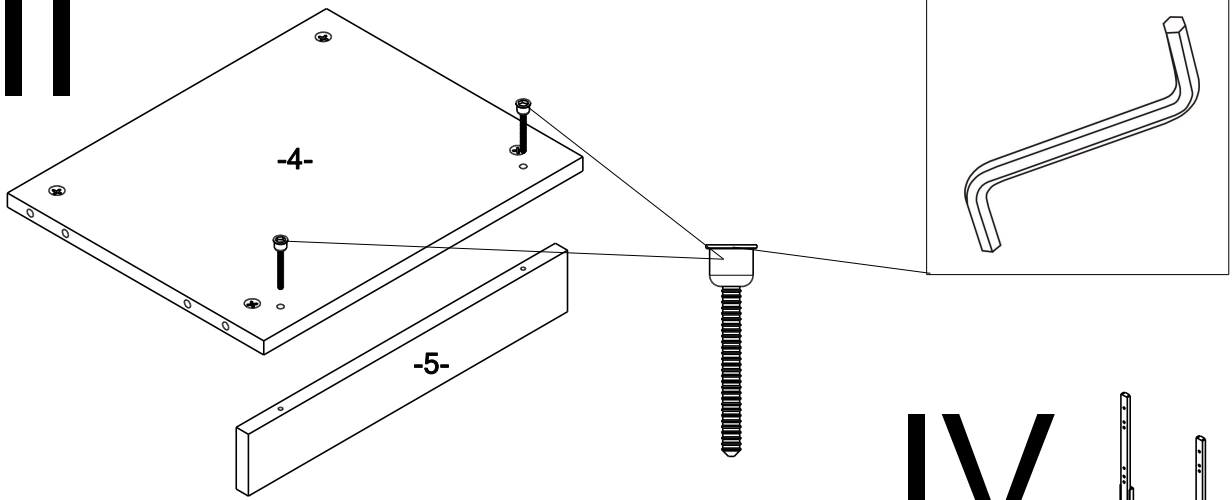
	WYMIARY ELEMENTÓW
-1-	453x370
-2-	382x350
-3-	382x350
-4-	418x336
-5-	418x70
-6-	440x319
-7-	2x 446x151
-8-	2x 300x120
-9-	2x 300x120
-10-	2x 360x100
-11-	2x 380x310



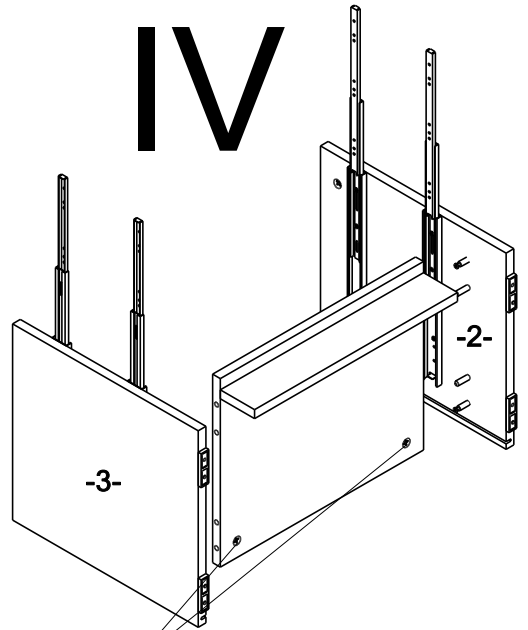




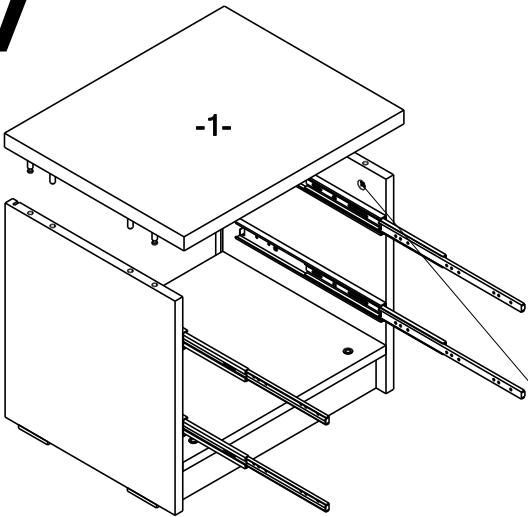
III



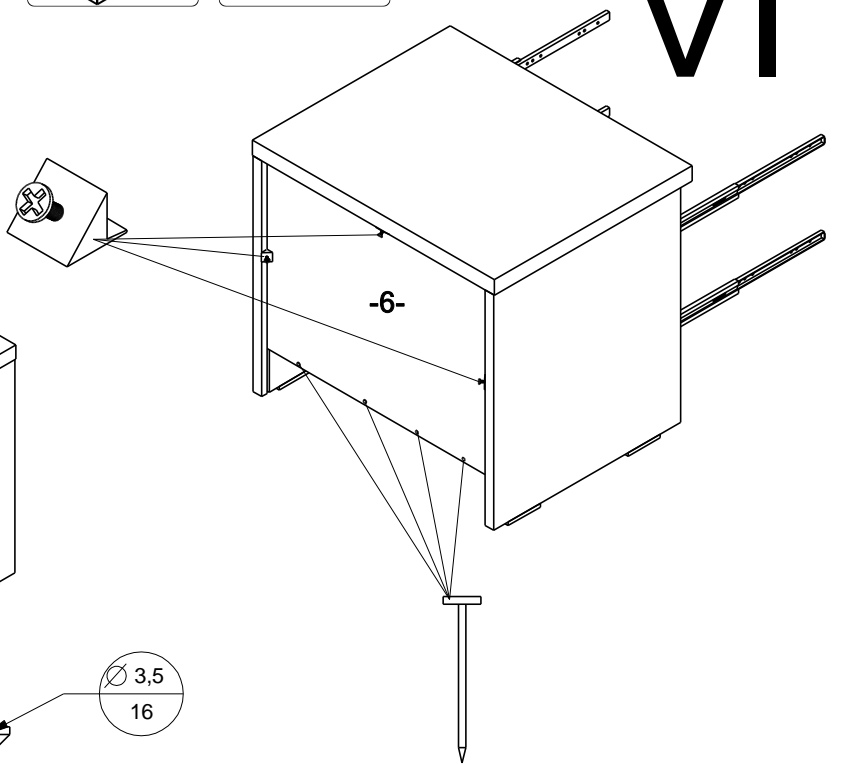
IV



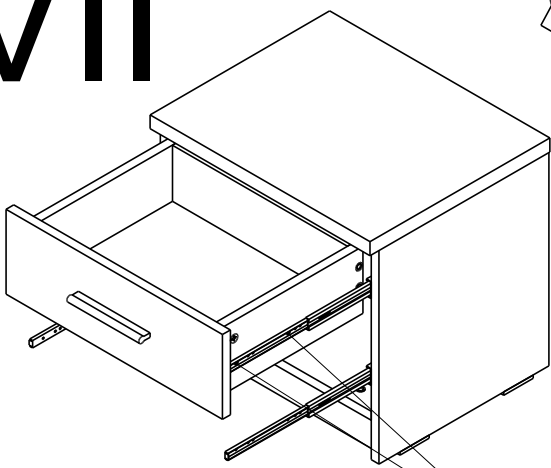
V



VI



VII



Ø 3,5  
16